

Koshi batten detail

Profile: Rectangle 30x50

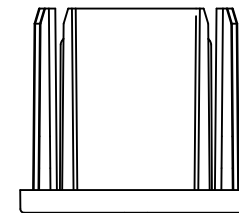
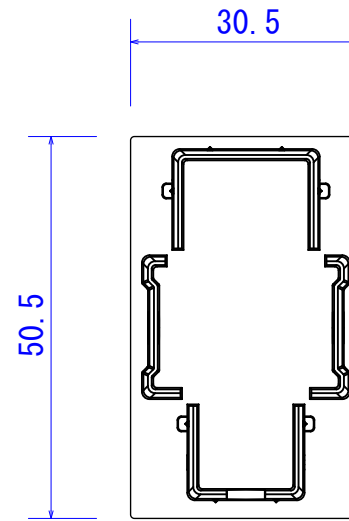
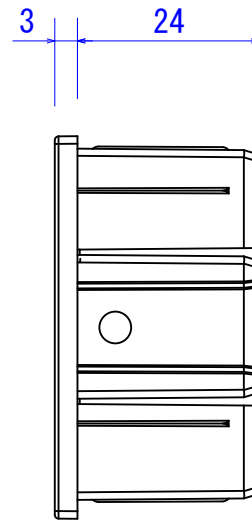
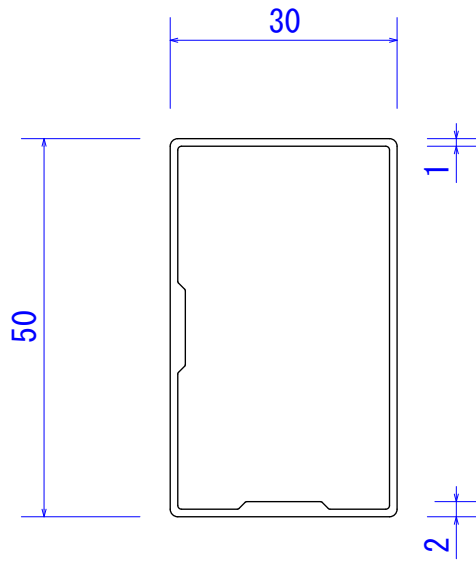
Weight: 0.479kg/m

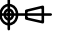




Batten thickness: 1.0 / 2.0mm

End cap thickness: 3.0mm

End cap: Coloured ABS plastic

Endcap detail



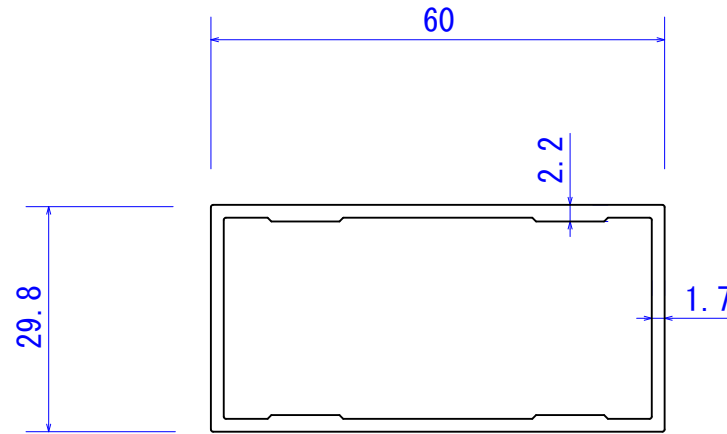
		Product Name				Project Name		Date	Page	Scale	Projection	
		KOSHI RECTANGLE 30X50						07/2021	1 of 10	1:1		
												
	Install	Never strike extrusion directly with a hammer or rubber mallet. Use a pine plank between the tool and the extrusion to avoid surface damage or denting.				Approval	Check	Drawing	Design	 Melbourne Showroom 2 Ginibi Drive Altona North VIC 3025 T +613 9398 8128 info@covet.com.au www.covet.com.au		
	End Caps	Screw fix or apply exterior grade adhesive (Sikaflex) to secure cap to batten.										

Koshi batten detail

Profile: Rectangle 30x60

Weight: 0.846kg/m

Batten thickness: 1.7 / 2.2mm



		Product Name				Project Name		Date	Page	Scale	Projection
		KOSHI RECTANGLE 30X60						07/2021	2 of 10	1:1	
	Install	Never strike extrusion directly with a hammer or rubber mallet. Use a pine plank between the tool and the extrusion to avoid surface damage or denting.				Approval	Check	Drawing	Design	 Melbourne Showroom 2 Ginibi Drive Altona North VIC 3025	
	End Caps	Screw fix or apply exterior grade adhesive (Sikaflex) to secure cap to batten.									

Koshi batten detail

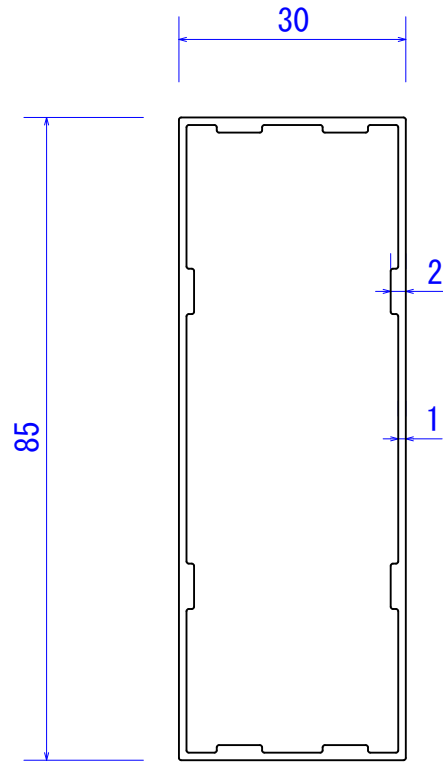
Profile: Rectangle 30x85

Weight: 0.740kg/m

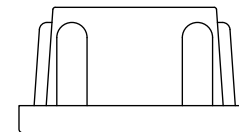
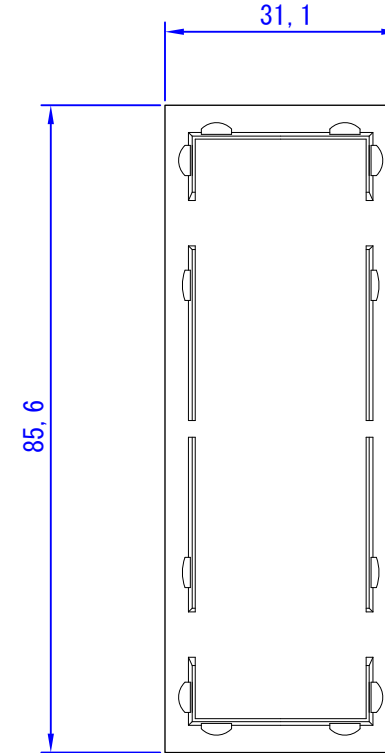
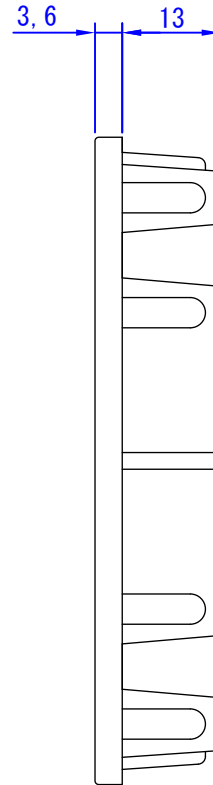
Batten thickness: 1.0 / 2.0mm

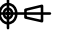




End cap thickness: 3.6mm

End cap: Coloured ABS plastic



Endcap detail

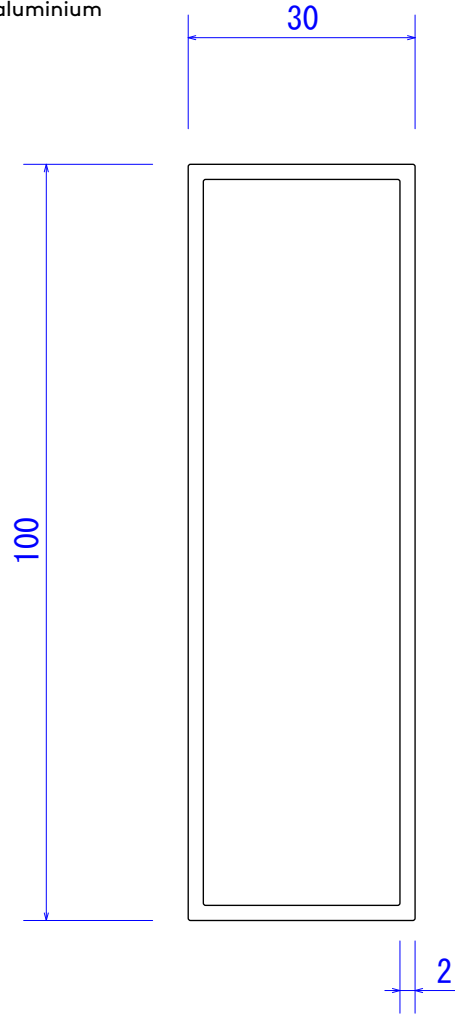


		Product Name				Project Name		Date	Page	Scale	Projection	
		KOSHI RECTANGLE 30X85						07/2021	3 of 10	1:1		
												
	Install	Never strike extrusion directly with a hammer or rubber mallet. Use a pine plank between the tool and the extrusion to avoid surface damage or denting.				Approval	Check	Drawing	Design	 <div style="display: flex; justify-content: space-between;"> <div> <p>Melbourne Showroom 2 Ginibi Drive Altona North VIC 3025</p> </div> <div> <p>T +613 9398 8128 info@covet.com.au www.covet.com.au</p> </div> </div>		
	End Caps	Screw fix or apply exterior grade adhesive (Sikaflex) to secure cap to batten.										

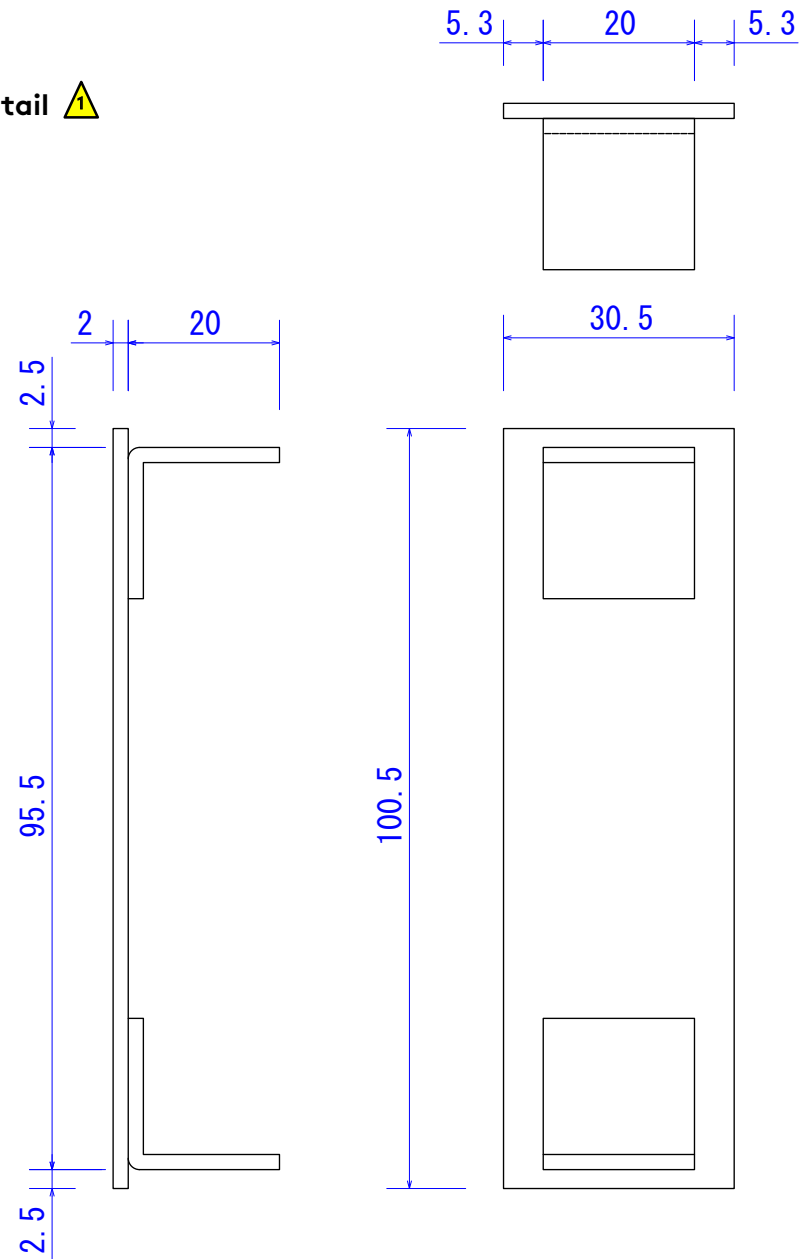
Koshi batten detail


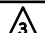


Profile: Rectangle 30x100

Weight: 1.361 kg/m
 Batten thickness: 2.0mm
 End cap thickness: 2.0mm
 End cap: Painted aluminium



Endcap detail



		Product Name				Project Name		Date	Page	Scale	Projection
		KOSHI RECTANGLE 30X100						07/2021	4 of 10	1:1	
	Install	Never strike extrusion directly with a hammer or rubber mallet. Use a pine plank between the tool and the extrusion to avoid surface damage or denting.				Approval	Check	Drawing	Design	 Melbourne Showroom 2 Ginibi Drive Altona North VIC 3025 T +613 9398 8128 info@covet.com.au www.covet.com.au	
	End Caps	Screw fix to secure cap to batten.									

Koshi batten detail

Profile: Rectangle 40X20

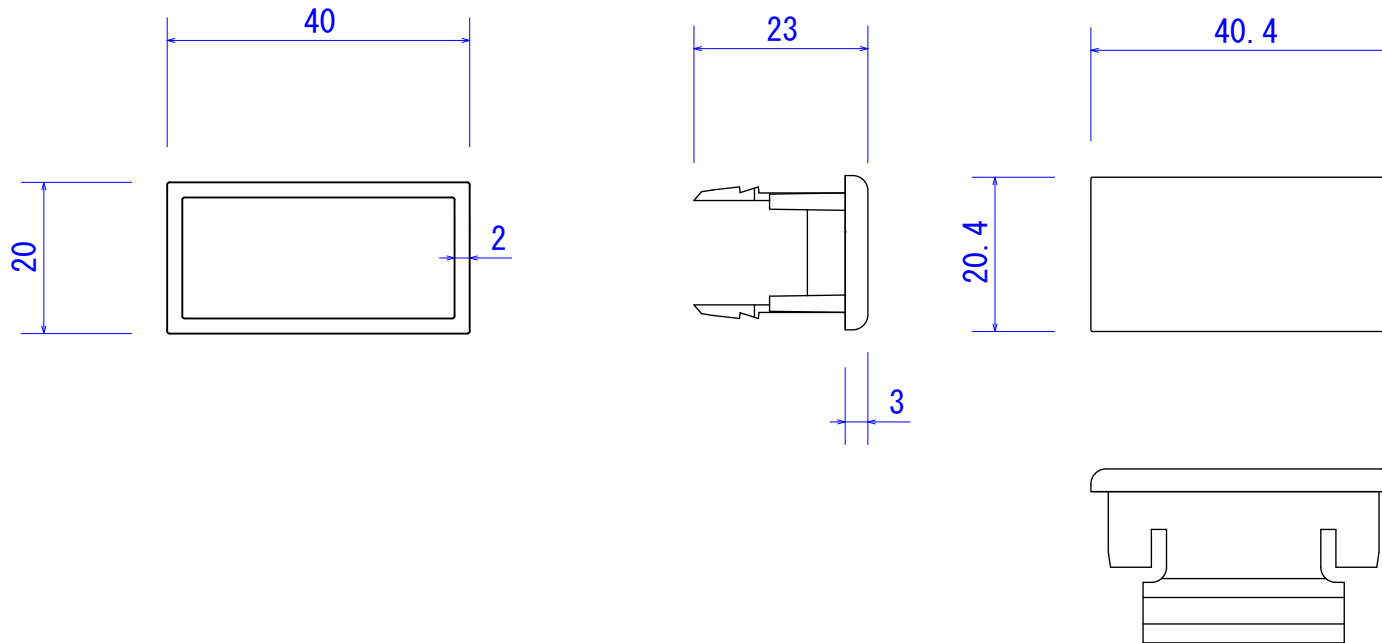
Weight: 0.605kg/m






Batten thickness: 2.0mm

End cap thickness: 3.0mm

End cap: Coloured ABS plastic

Endcap detail

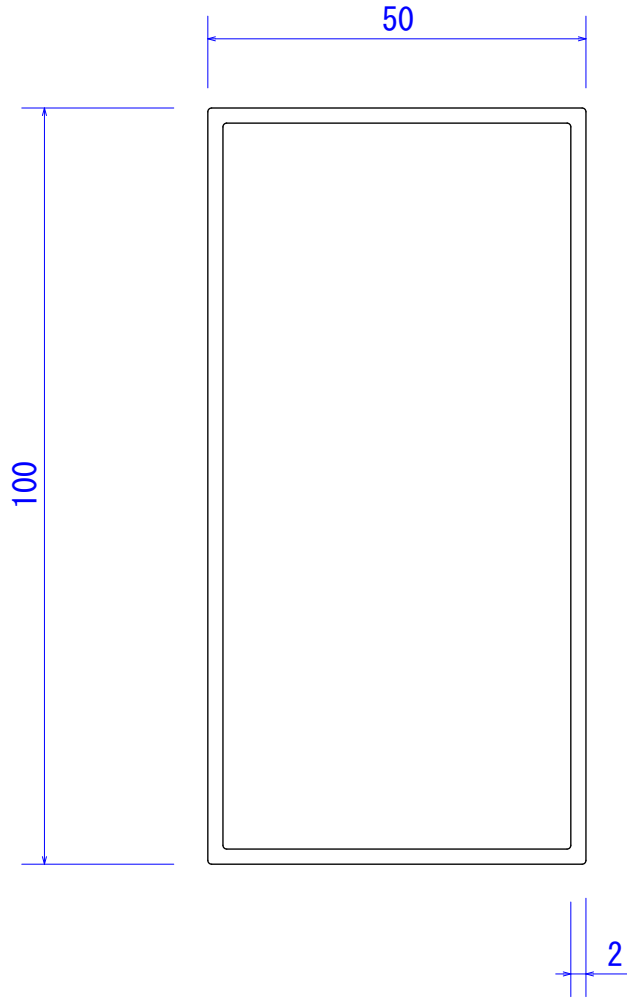


		Product Name				Project Name		Date	Page	Scale	Projection	
		KOSHI RECTANGLE 40X20						07/2021	5 of 10	1:1		
												
	Install	Never strike extrusion directly with a hammer or rubber mallet. Use a pine plank between the tool and the extrusion to avoid surface damage or denting.				Approval	Check	Drawing	Design	 <div style="display: flex; justify-content: space-between;"> <div>Melbourne Showroom 2 Ginibi Drive Altona North VIC 3025</div> <div>T +613 9398 8128 info@covet.com.au www.covet.com.au</div> </div>		
	End Caps	Screw fix or apply exterior grade adhesive (Sikaflex) to secure cap to batten.										

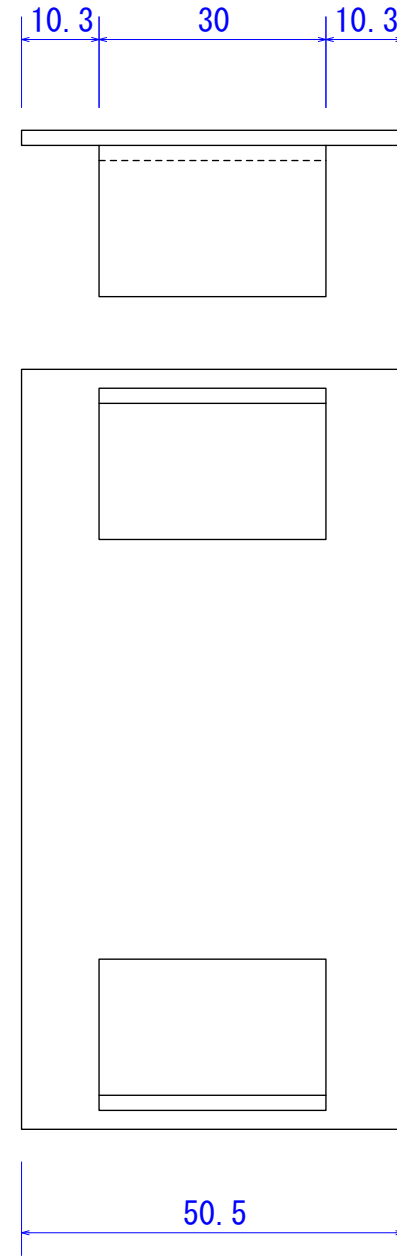
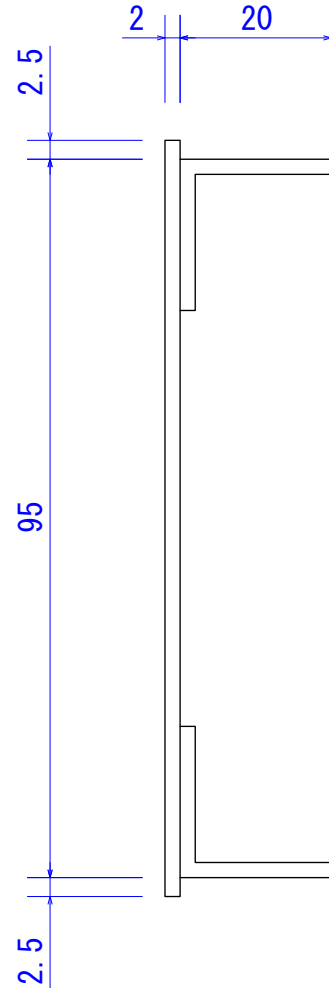
Koshi batten detail






Profile: Rectangle 50X100

Weight: 1.577 kg/m
 Batten thickness: 2.0mm
 End cap thickness: 2.0mm
 End cap: Painted aluminium



Endcap detail



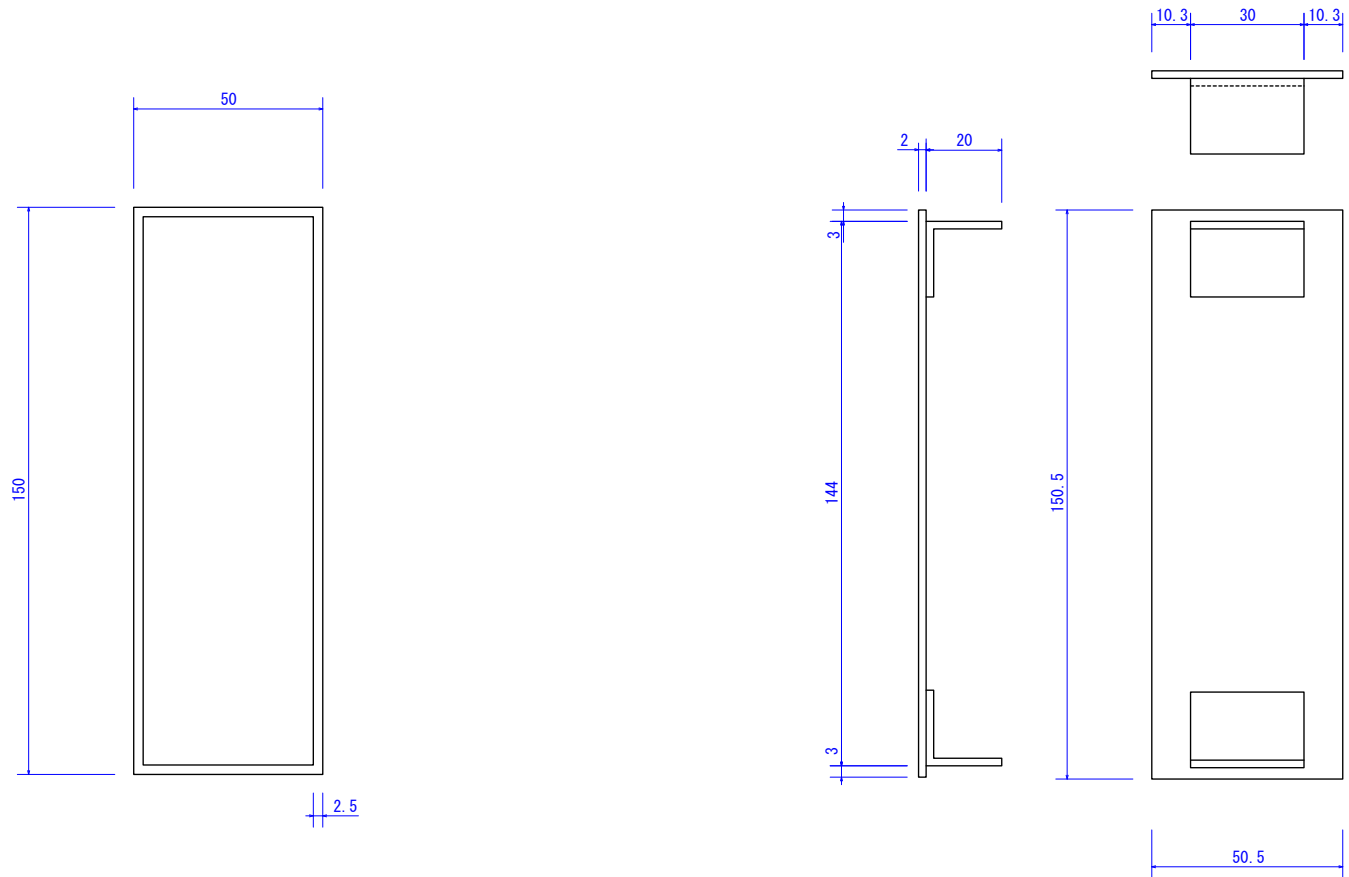
		Product Name				Project Name		Date	Page	Scale	Projection	
		KOSHI RECTANGLE 50X100						07/2021	6 of 10	1:1		
												
	Install	Never strike extrusion directly with a hammer or rubber mallet. Use a pine plank between the tool and the extrusion to avoid surface damage or denting.				Approval	Check	Drawing	Design	 Melbourne Showroom 2 Ginibi Drive Altona North VIC 3025 T +613 9398 8128 info@covet.com.au www.covet.com.au		
	End Caps	Screw fix to secure cap to batten.										





Koshi batten detail

Profile: Rectangle 50X150

Weight: 2.633 kg/m
 Batten thickness: 2.5mm
 End cap thickness: 2.0mm
 End cap: Painted aluminium

Endcap detail

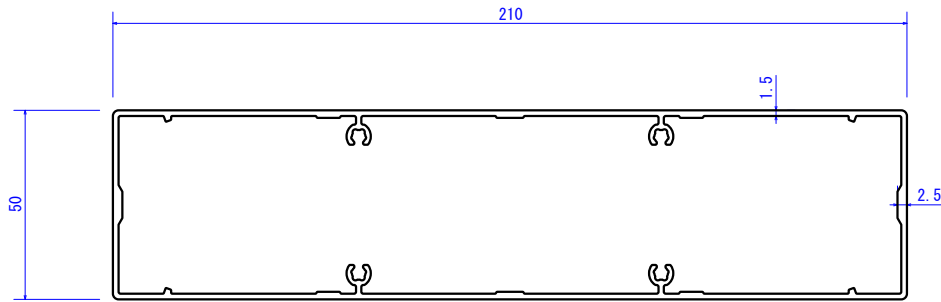


		Product Name				Project Name		Date	Page	Scale	Projection
		KOSHI RECTANGLE 50X150						07/2021	7 of 10	1:2	
	Install	Never strike extrusion directly with a hammer or rubber mallet. Use a pine plank between the tool and the extrusion to avoid surface damage or denting.				Approval	Check	Design	 Melbourne Showroom 2 Ginibi Drive Altona North VIC 3025 T +613 9398 8128 info@covet.com.au www.covet.com.au		
	End Caps	Screw fix to secure cap to batten.									

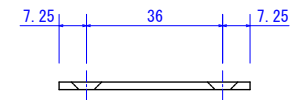
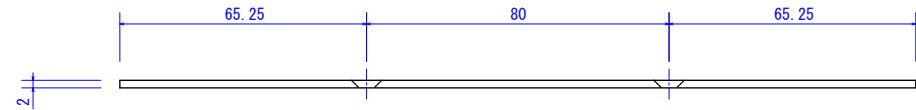
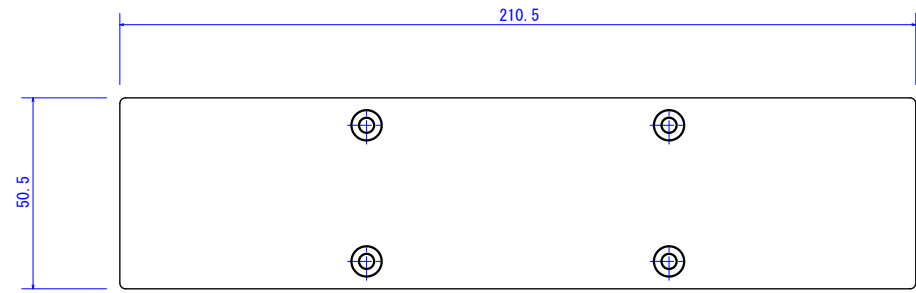
Koshi batten detail





Profile: Rectangle 50X210

Weight: 2.427kg/m
 Batten thickness: 1.5 / 2.5mm
 End cap thickness: 2.0mm
 End cap: Painted aluminium



Endcap detail



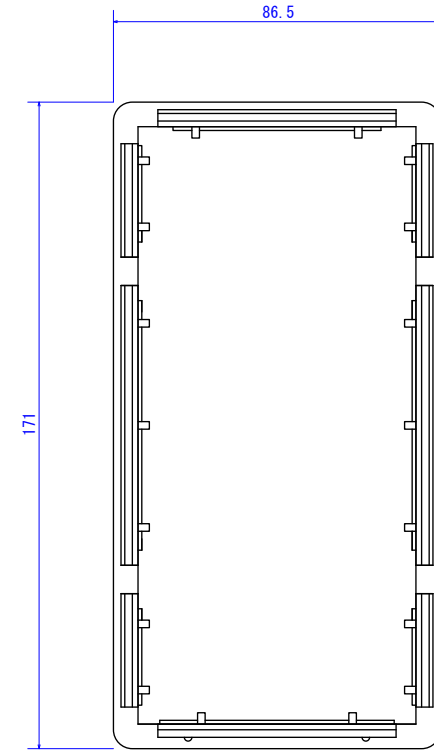
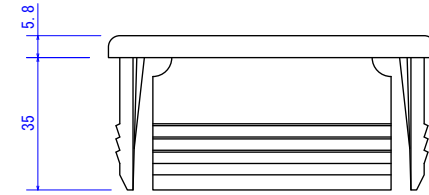
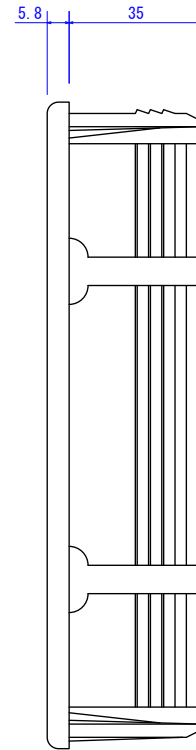
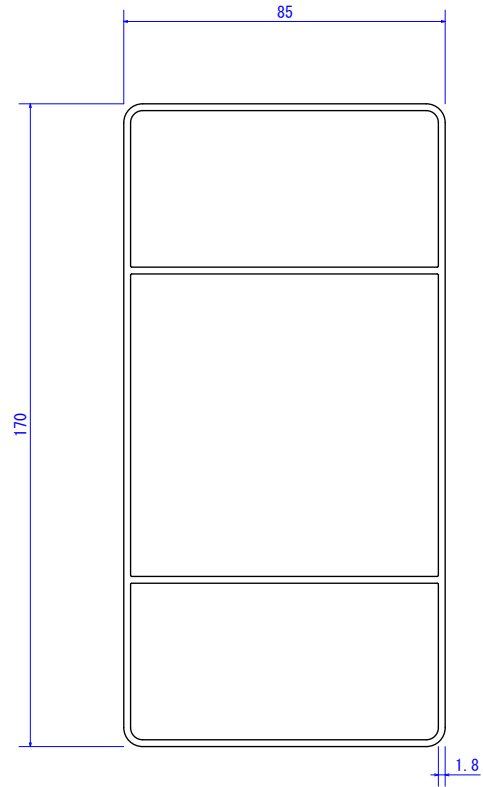
		Product Name				Project Name		Date	Page	Scale	Projection	
		KOSHI RECTANGLE 50X210						07/2021	8 of 10	1:2		
	Install	Never strike extrusion directly with a hammer or rubber mallet. Use a pine plank between the tool and the extrusion to avoid surface damage or denting.				Approval	Check	Drawing	Design	 Melbourne Showroom 2 Ginibi Drive Altona North VIC 3025 T +613 9398 8128 info@covet.com.au www.covet.com.au		
	End Caps	Screw fix to secure cap to batten.										






Koshi batten detail

Profile: Rectangle 85X170

Weight: 8.201 kg/m
 Batten thickness: 1.8mm
 End cap thickness: 5.8mm
 End cap: Coloured ABS plastic





Endcap detail



		Product Name				Project Name		Date	Page	Scale	Projection	
		KOSHI RECTANGLE 85X170						07/2021	9 of 10	1:2		
												
	Install	Never strike extrusion directly with a hammer or rubber mallet. Use a pine plank between the tool and the extrusion to avoid surface damage or denting.				Approval	Check	Drawing	Design	 Melbourne Showroom 2 Ginibi Drive Altona North VIC 3025 T +613 9398 8128 info@covet.com.au www.covet.com.au		
	End Caps	Screw fix or apply exterior grade adhesive (Sikaflex) to secure cap to batten.										

Koshi Batten Installation Guide

- Aluminium can be damaged if mishandled. Never strike directly with a hammer or rubber mallet. Use a pine plank between the striking rubber mallet and the extrusion to avoid surface damage or denting.
- Cut aluminium with a drop saw using an aluminium blade.
- Always cap ends of extrusions with supplied end caps or a flashing to avoid moisture ingress.
- Metal end caps (painted) must be screwed to the extrusion.
- All end caps can only be applied to straight 90 degree cuts. They cannot be applied to angle end cuts.
- Ensure appropriate screws are used to suit the substrate you are fastening to. It is important to use stainless steel or bi-metal screws for all metal surfaces impacted when fastening (i.e. furring channels, top hats, steel frames). This will prevent galvanic reaction between the screw/substrate and aluminium extrusion.
- Fasten at maximum 1 metre spans. Please contact Covet for further information.

		Product Name				Project Name		Date	Page	Scale	Projection
		KOSHI BATTENS						07/2021	10 of 10		
											
	Install	Never strike extrusion directly with a hammer or rubber mallet. Use a pine plank between the tool and the extrusion to avoid surface damage or denting.	Approval	Check	Drawing	Design	covet [®]		Melbourne Showroom 2 Ginibi Drive Altona North VIC 3025		T +613 9398 8128 info@covet.com.au www.covet.com.au
	End Caps	Screw fix or apply exterior grade adhesive (Sikaflex) to secure cap to batten.									