

# Koshi batten detail

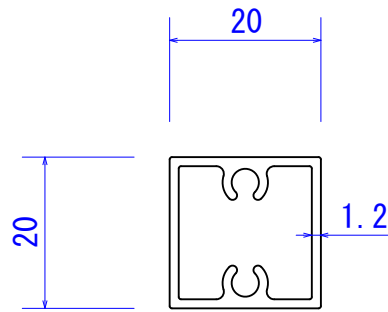
## Profile: Koshi Square 20x20

Weight: 0.316kg/m

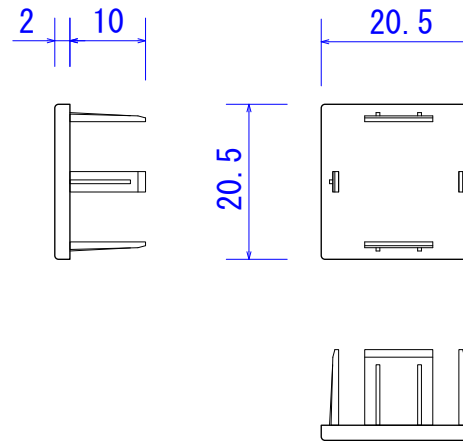
Batten thickness: 1.2mm


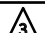


End cap thickness: 2.0mm

End cap: Coloured ABS plastic



## Endcap detail



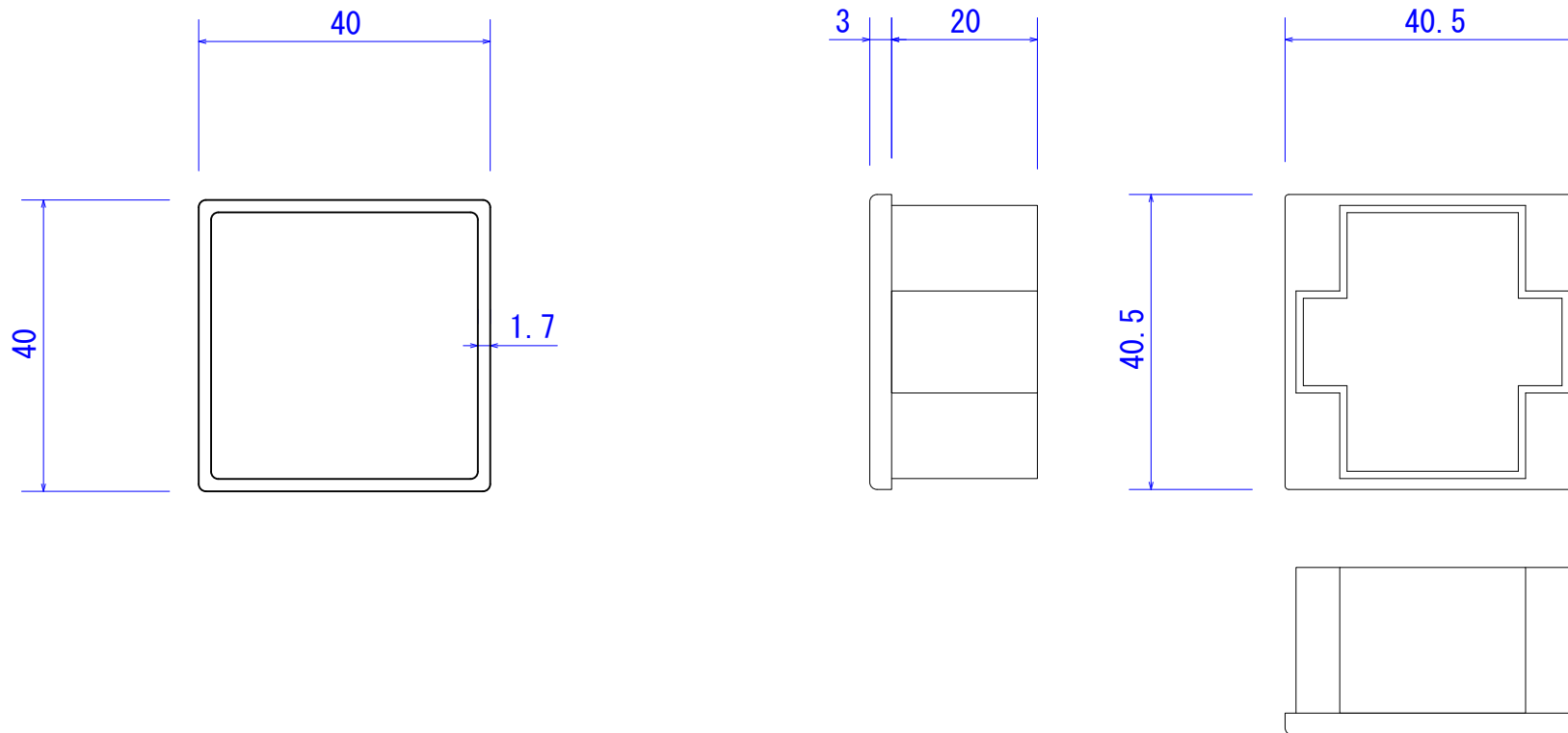
		Product Name				Project Name		Date	Page	Scale	Projection
		KOSHI SQUARE 20X20						07/2021	1 of 31	1:1	
	Install	Never strike extrusion directly with a hammer or rubber mallet. Use a pine plank between the tool and the extrusion to avoid surface damage or denting.				Approval	Check	Drawing	Design	 Covet International 27 / 131 Hyde St Yarraville VIC 3013 T +613 9398 8128 info@covet.com.au www.covet.com.au	
	End Caps	Screw fix or apply exterior grade adhesive (Sikaflex) to secure cap to batten.									






# Koshi batten detail

## Profile: Square 40x40

Weight: 0.703kg/m  
 Batten thickness: 1.7mm  
 End cap thickness: 3.0mm  
 End cap: Coloured ABS plastic

### Endcap detail



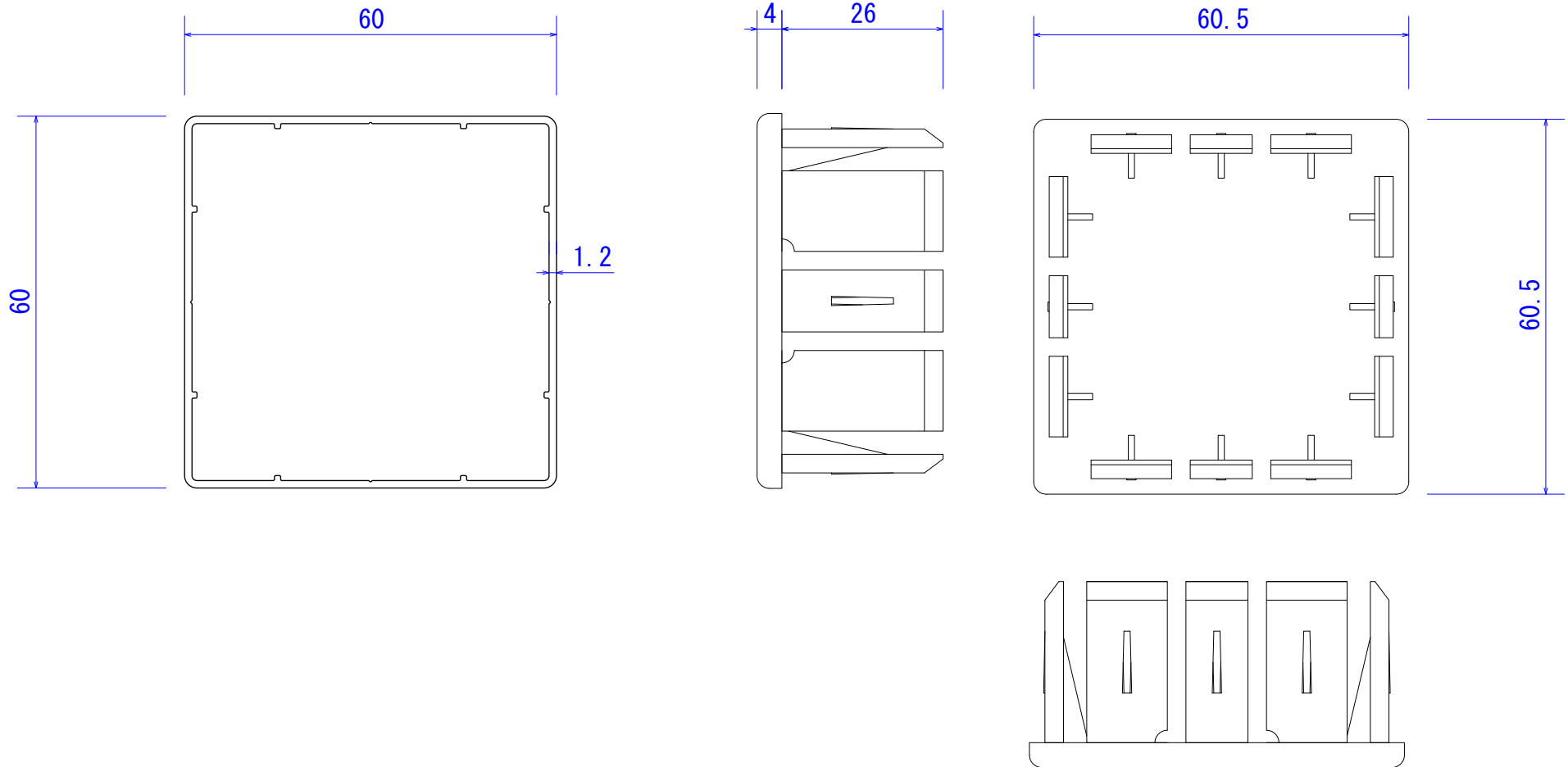
		Product Name				Project Name		Date	Page	Scale	Projection	
		KOSHI SQUARE 40X40						07/2021	2 of 31	1:1		
												
	Install	Never strike extrusion directly with a hammer or rubber mallet. Use a pine plank between the tool and the extrusion to avoid surface damage or denting.				Approval	Check	Drawing	Design	 Covet International 27 / 131 Hyde St Yarraville VIC 3013 T +613 9398 8128 info@covet.com.au www.covet.com.au		
	End Caps	Screw fix or apply exterior grade adhesive (Sikaflex) to secure cap to batten.										






# Koshi batten detail

## Profile: Square 60x60

Weight: 0.754kg/m  
 Batten thickness: 1.2mm  
 End cap thickness: 4.0mm  
 End cap: Coloured ABS plastic

### Endcap detail



			Product Name				Project Name	Date	Page	Scale	Projection	
			KOSHI SQUARE 60X60					07/2021	3 of 31	1:1		
			Approval	Check	Drawing	Design			Covet International 27 / 131 Hyde St Yarraville VIC 3013		T +613 9398 8128 info@covet.com.au www.covet.com.au	
	Install	Never strike extrusion directly with a hammer or rubber mallet. Use a pine plank between the tool and the extrusion to avoid surface damage or denting.										
	End Caps	Screw fix or apply exterior grade adhesive (Sikaflex) to secure cap to batten.										

## Koshi batten detail

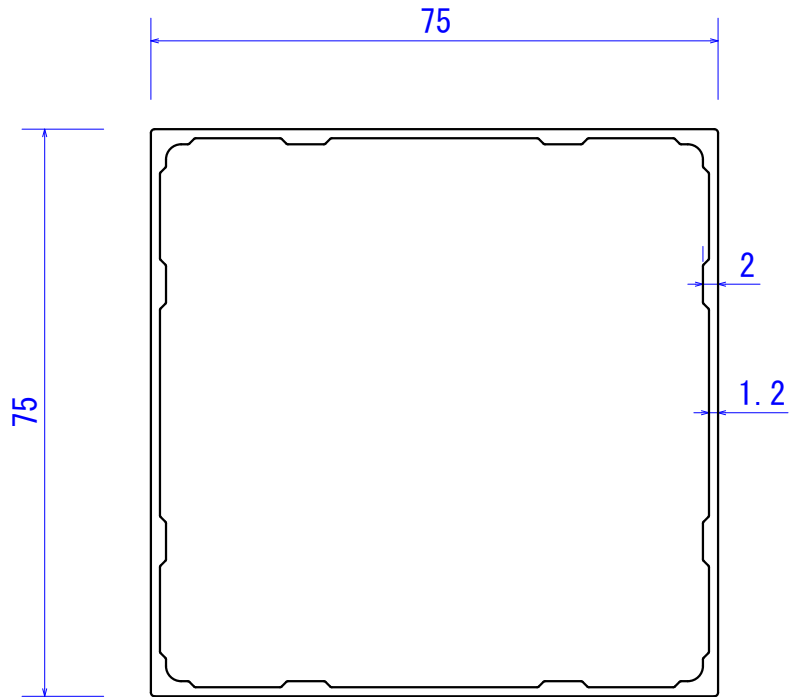
### Profile: Square 75x75

Weight: 1.13kg/m

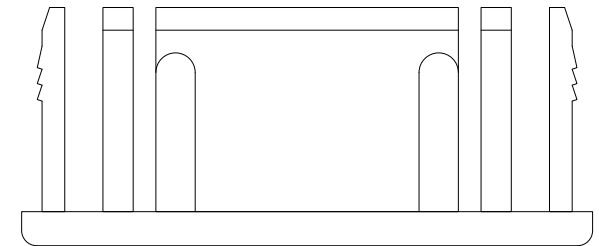
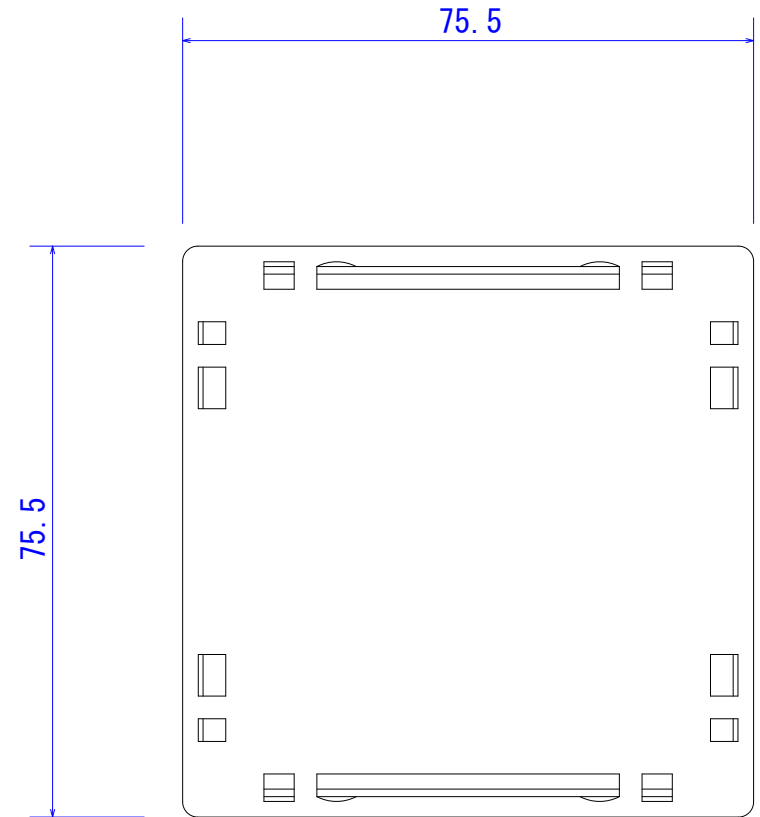
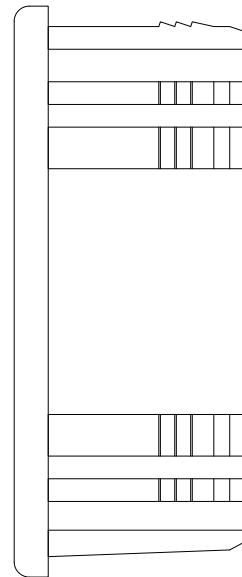
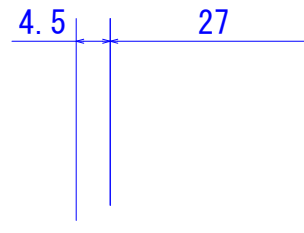
Batten thickness: 1.2 / 2.0mm






End cap thickness: 4.5mm

End cap: Coloured ABS plastic



## Endcap detail



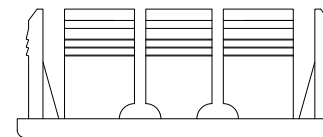
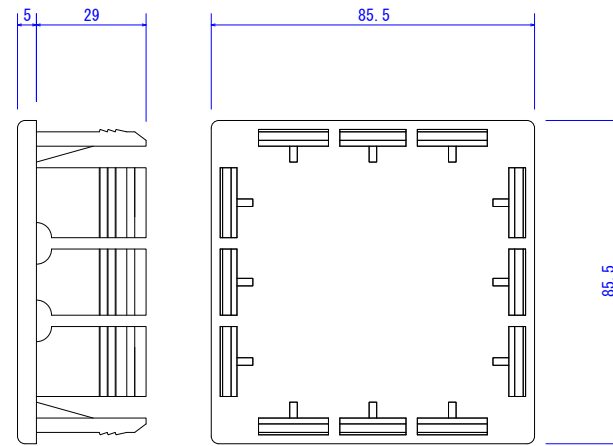
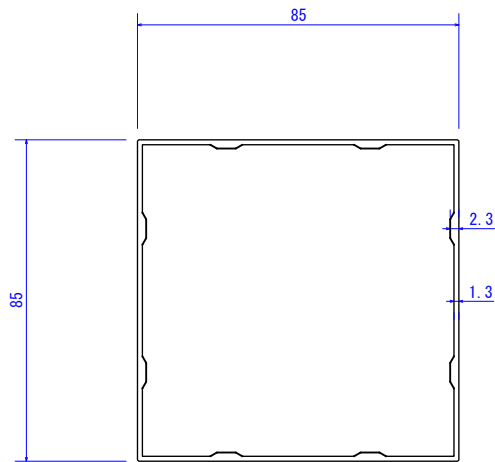
		Product Name				Project Name		Date	Page	Scale	Projection	
		KOSHI SQUARE 75X75						07/2021	4 of 31	1:1		
												
	Install	Never strike extrusion directly with a hammer or rubber mallet. Use a pine plank between the tool and the extrusion to avoid surface damage or denting.				Approval	Check	Drawing	Design	 Covet International 27 / 131 Hyde St Yarraville VIC 3013		
	End Caps	Screw fix or apply exterior grade adhesive (Sikaflex) to secure cap to batten.										


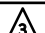



# Koshi batten detail

## Profile: Square 85x85

Weight: 2.218kg/m  
 Batten thickness: 1.3 / 2.3mm  
 End cap thickness: 5.0mm  
 End cap: Coloured ABS plastic

### Endcap detail



		Product Name				Project Name		Date	Page	Scale	Projection	
		KOSHI SQUARE 85X85						07/2021	5 of 31	1:2		
												
	Install	Never strike extrusion directly with a hammer or rubber mallet. Use a pine plank between the tool and the extrusion to avoid surface damage or denting.				Approval	Check	Drawing	Design	 Covet International 27 / 131 Hyde St Yarraville VIC 3013 T +613 9398 8128 info@covet.com.au www.covet.com.au		
	End Caps	Screw fix or apply exterior grade adhesive (Sikaflex) to secure cap to batten.										

# Koshi batten detail

## Profile: Square 100x100

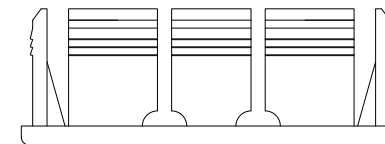
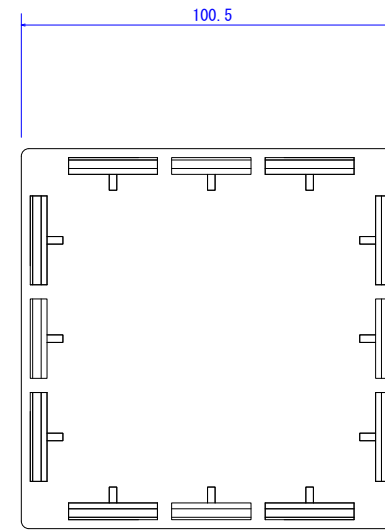
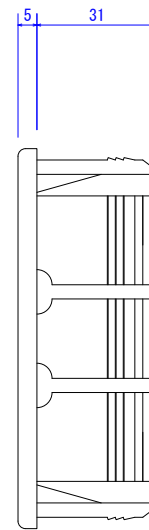
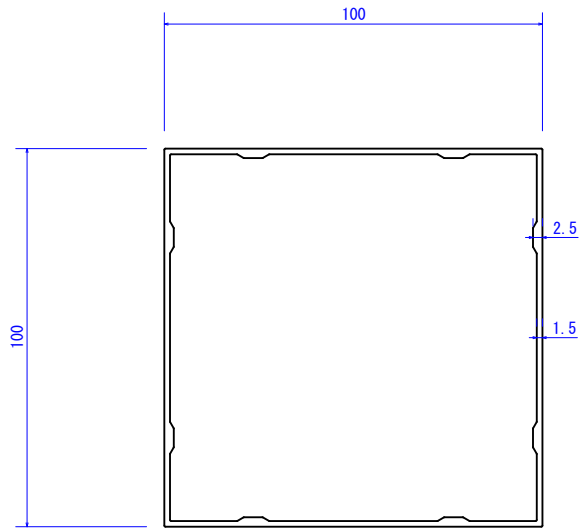
Weight: 0.741 kg/m






Batten thickness: 1.5 / 2.5mm

End cap thickness: 5.0mm

End cap: Coloured ABS plastic

### Endcap detail



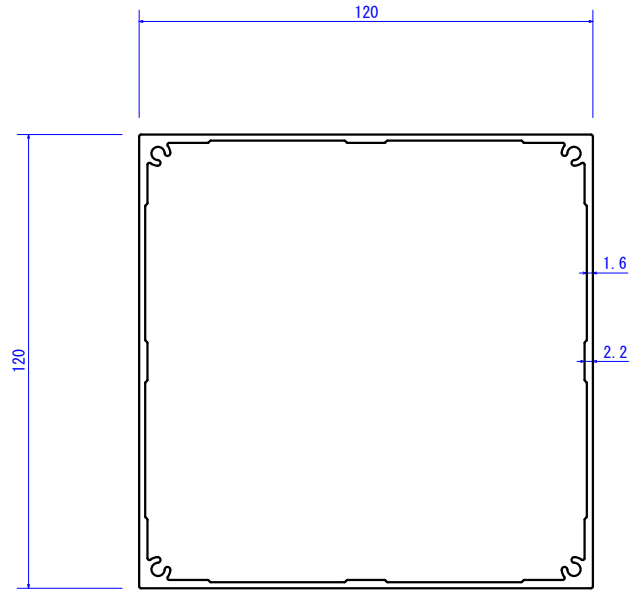
		Product Name				Project Name		Date	Page	Scale	Projection	
		KOSHI SQUARE 100X100						07/2021	6 of 31	1:2		
												
	Install	Never strike extrusion directly with a hammer or rubber mallet. Use a pine plank between the tool and the extrusion to avoid surface damage or denting.				Approval	Check	Drawing	Design	 <div style="display: flex; justify-content: space-between;"> <div> <p>Covet International 27 / 131 Hyde St Yarraville VIC 3013</p> </div> <div> <p>T +613 9398 8128 info@covet.com.au www.covet.com.au</p> </div> </div>		
	End Caps	Screw fix or apply exterior grade adhesive (Sikaflex) to secure cap to batten.										

# Koshi batten detail

## Profile: Square 120x120 (No caps)

Weight: 2.527 kg/m

Batten thickness: 1.6 / 2.2mm



		Product Name				Project Name		Date	Page	Scale	Projection	
		KOSHI SQUARE 120X120						07/2021	7 of 31	1:2		
	Install	Never strike extrusion directly with a hammer or rubber mallet. Use a pine plank between the tool and the extrusion to avoid surface damage or denting.				Approval	Check	Drawing	Design	Covet International 27 / 131 Hyde St Yarraville VIC 3013 T +613 9398 8128 info@covet.com.au www.covet.com.au		

# Koshi batten detail

## Profile: Rectangle 30x50

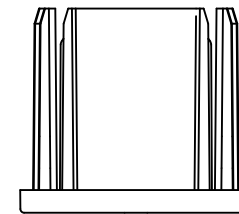
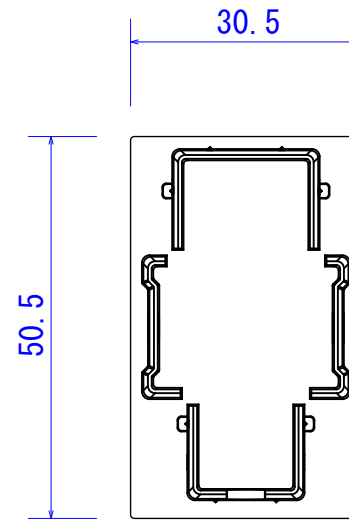
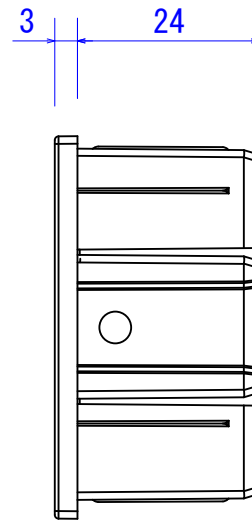
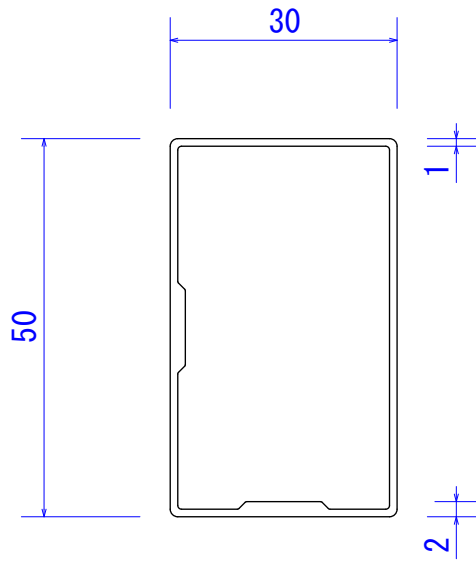
Weight: 0.479kg/m






Batten thickness: 1.0 / 2.0mm

End cap thickness: 3.0mm

End cap: Coloured ABS plastic

### Endcap detail



		Product Name				Project Name		Date	Page	Scale	Projection	
		KOSHI RECTANGLE 30X50						07/2021	8 of 31	1:1		
												
	Install	Never strike extrusion directly with a hammer or rubber mallet. Use a pine plank between the tool and the extrusion to avoid surface damage or denting.				Approval	Check	Drawing	Design	 Covet International 27 / 131 Hyde St Yarraville VIC 3013		
	End Caps	Screw fix or apply exterior grade adhesive (Sikaflex) to secure cap to batten.										

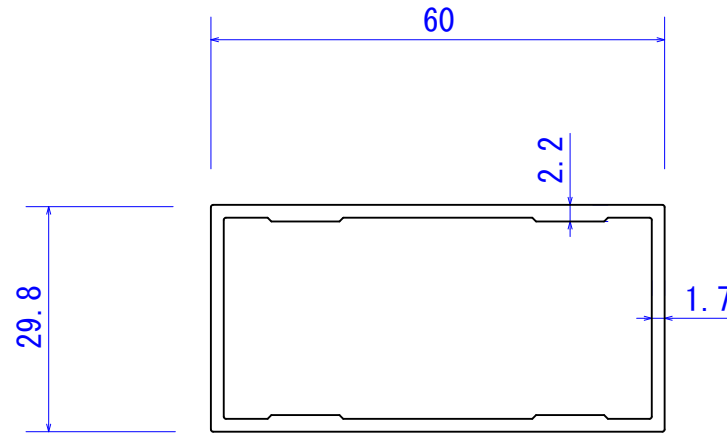


# Koshi batten detail

**Profile: Rectangle 30x60**

Weight: 0.846kg/m

Batten thickness: 1.7 / 2.2mm

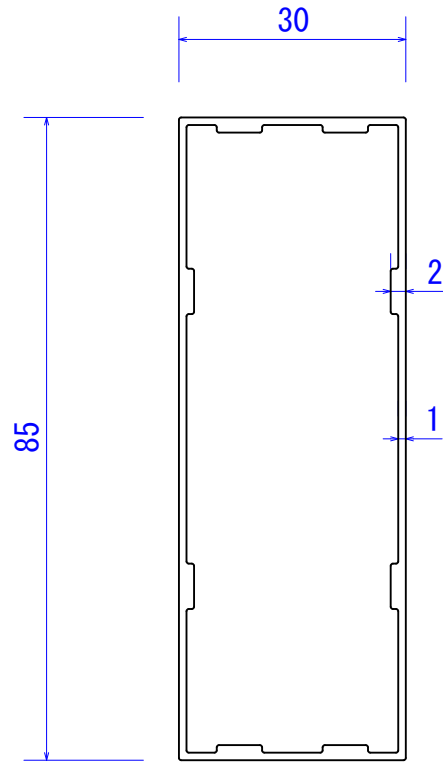


		Product Name				Project Name	Date	Page	Scale	Projection
		KOSHI RECTANGLE 30X60					07/2021	9 of 31	1:1	
						<div style="display: flex; justify-content: space-between; align-items: center;"> <div style="text-align: center;"> </div> <div style="text-align: center;">                     Covet International                      27 / 131 Hyde St                      Yarraville VIC 3013                 </div> <div style="text-align: center;">                     T +613 9398 8128                      info@covet.com.au                      www.covet.com.au                 </div> </div>				
	<b>Install</b>	Never strike extrusion directly with a hammer or rubber mallet. Use a pine plank between the tool and the extrusion to avoid surface damage or denting.								
	<b>End Caps</b>	Screw fix or apply exterior grade adhesive (Sikaflex) to secure cap to batten.								

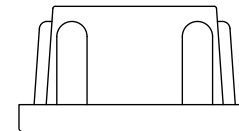
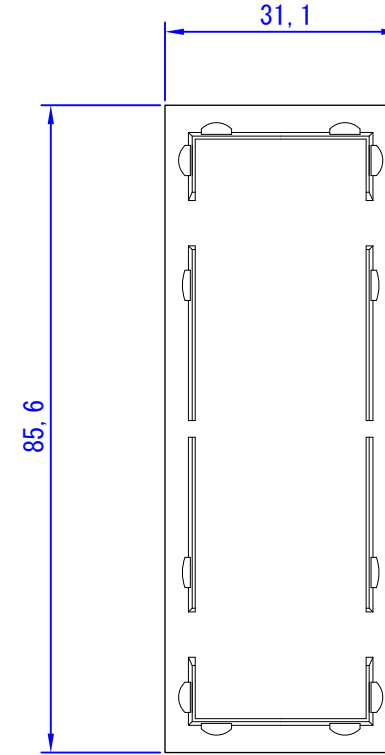
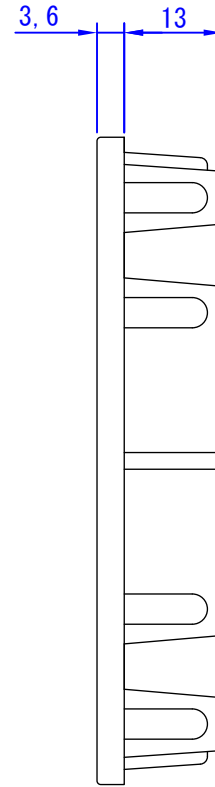
# Koshi batten detail






## Profile: Rectangle 30x85

Weight: 0.740kg/m  
 Batten thickness: 1.0 / 2.0mm  
 End cap thickness: 3.6mm  
 End cap: Coloured ABS plastic



## Endcap detail

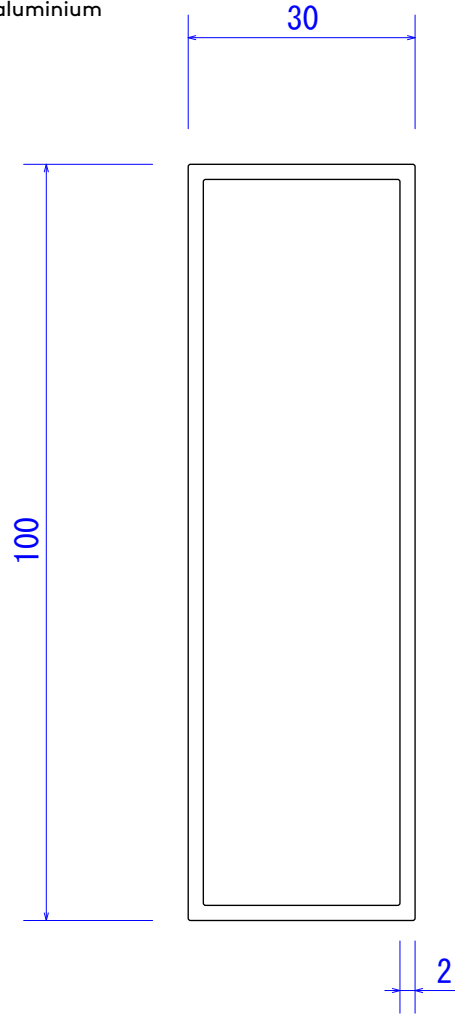


		Product Name				Project Name		Date	Page	Scale	Projection	
		KOSHI RECTANGLE 30X85						07/2021	10 of 31	1:1		
												
	Install	Never strike extrusion directly with a hammer or rubber mallet. Use a pine plank between the tool and the extrusion to avoid surface damage or denting.				Approval	Check	Drawing	Design	 Covet International 27 / 131 Hyde St Yarraville VIC 3013		
	End Caps	Screw fix or apply exterior grade adhesive (Sikaflex) to secure cap to batten.										

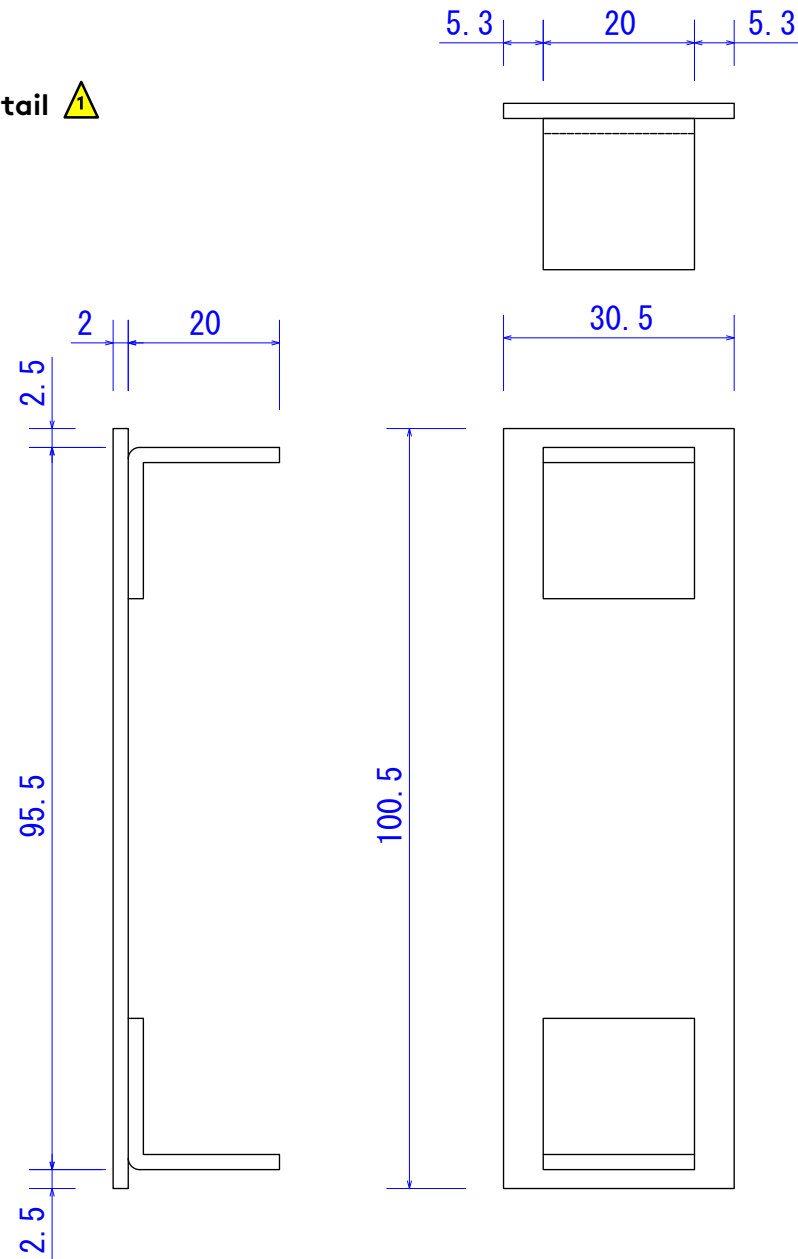
# Koshi batten detail






## Profile: Rectangle 30x100

Weight: 1.361 kg/m  
 Batten thickness: 2.0mm  
 End cap thickness: 2.0mm  
 End cap: Painted aluminium



## Endcap detail



		Product Name				Project Name		Date	Page	Scale	Projection	
		KOSHI RECTANGLE 30X100						07/2021	11 of 31	1:1		
												
	Install	Never strike extrusion directly with a hammer or rubber mallet. Use a pine plank between the tool and the extrusion to avoid surface damage or denting.				Approval	Check	Drawing	Design	 Covet International 27 / 131 Hyde St Yarraville VIC 3013		
	End Caps	Screw fix to secure cap to batten.										

# Koshi batten detail

## Profile: Rectangle 40X20

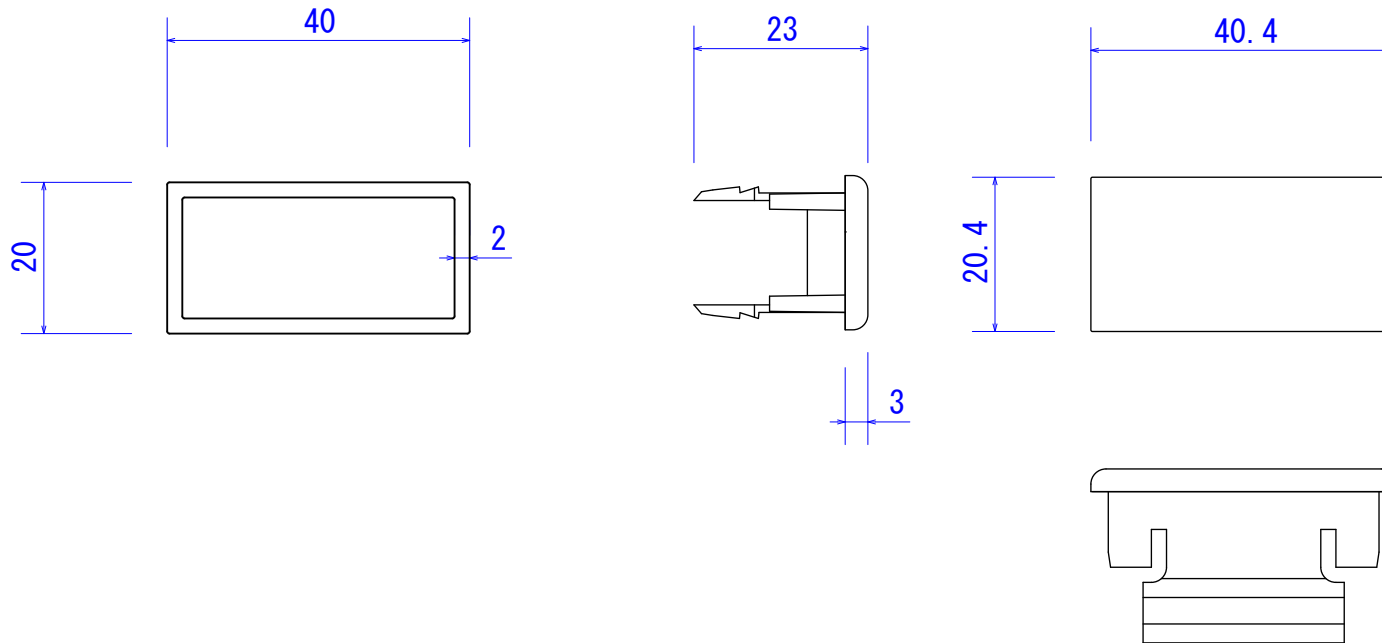
Weight: 0.605kg/m






Batten thickness: 2.0mm

End cap thickness: 3.0mm

End cap: Coloured ABS plastic

### Endcap detail

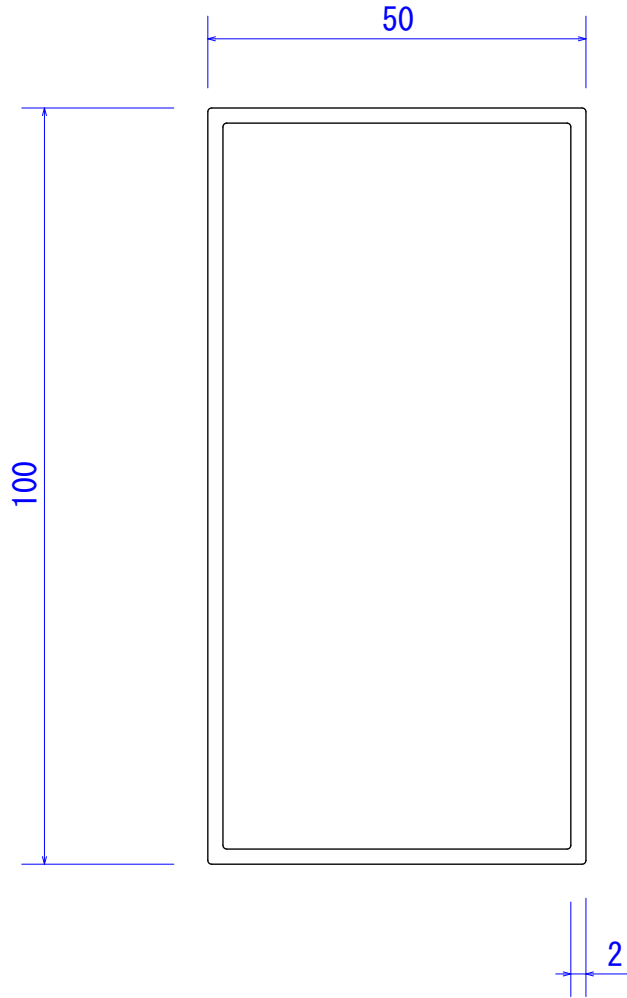


		Product Name				Project Name		Date	Page	Scale	Projection	
		KOSHI RECTANGLE 40X20						07/2021	12 of 31	1:1		
												
	Install	Never strike extrusion directly with a hammer or rubber mallet. Use a pine plank between the tool and the extrusion to avoid surface damage or denting.				Approval	Check	Drawing	Design	 <div style="display: flex; justify-content: space-between;"> <div> <p>Covet International 27 / 131 Hyde St Yarraville VIC 3013</p> </div> <div> <p>T +613 9398 8128 info@covet.com.au www.covet.com.au</p> </div> </div>		
	End Caps	Screw fix or apply exterior grade adhesive (Sikaflex) to secure cap to batten.										

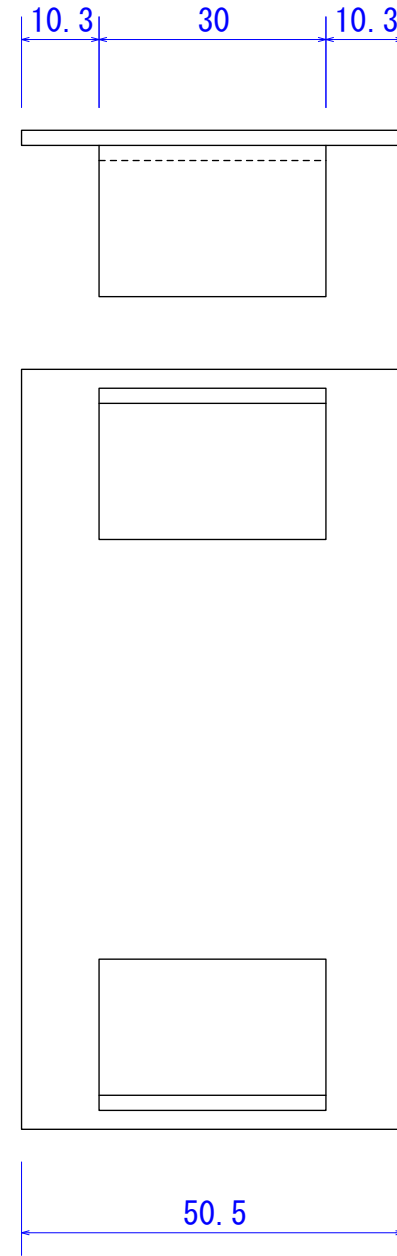
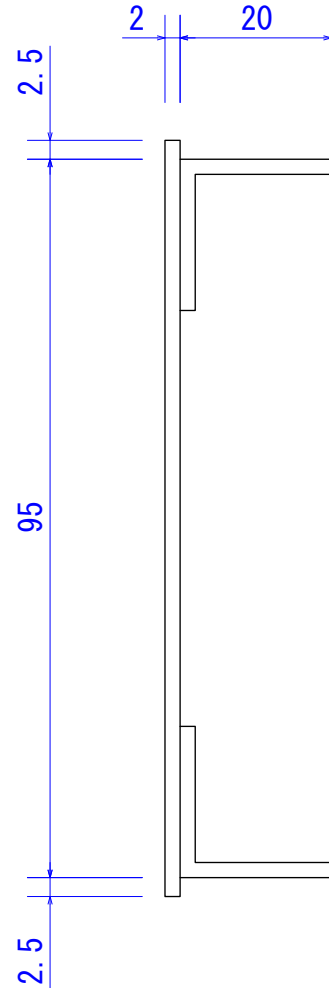
# Koshi batten detail






## Profile: Rectangle 50X100

Weight: 1.577 kg/m  
 Batten thickness: 2.0mm  
 End cap thickness: 2.0mm  
 End cap: Painted aluminium



## Endcap detail



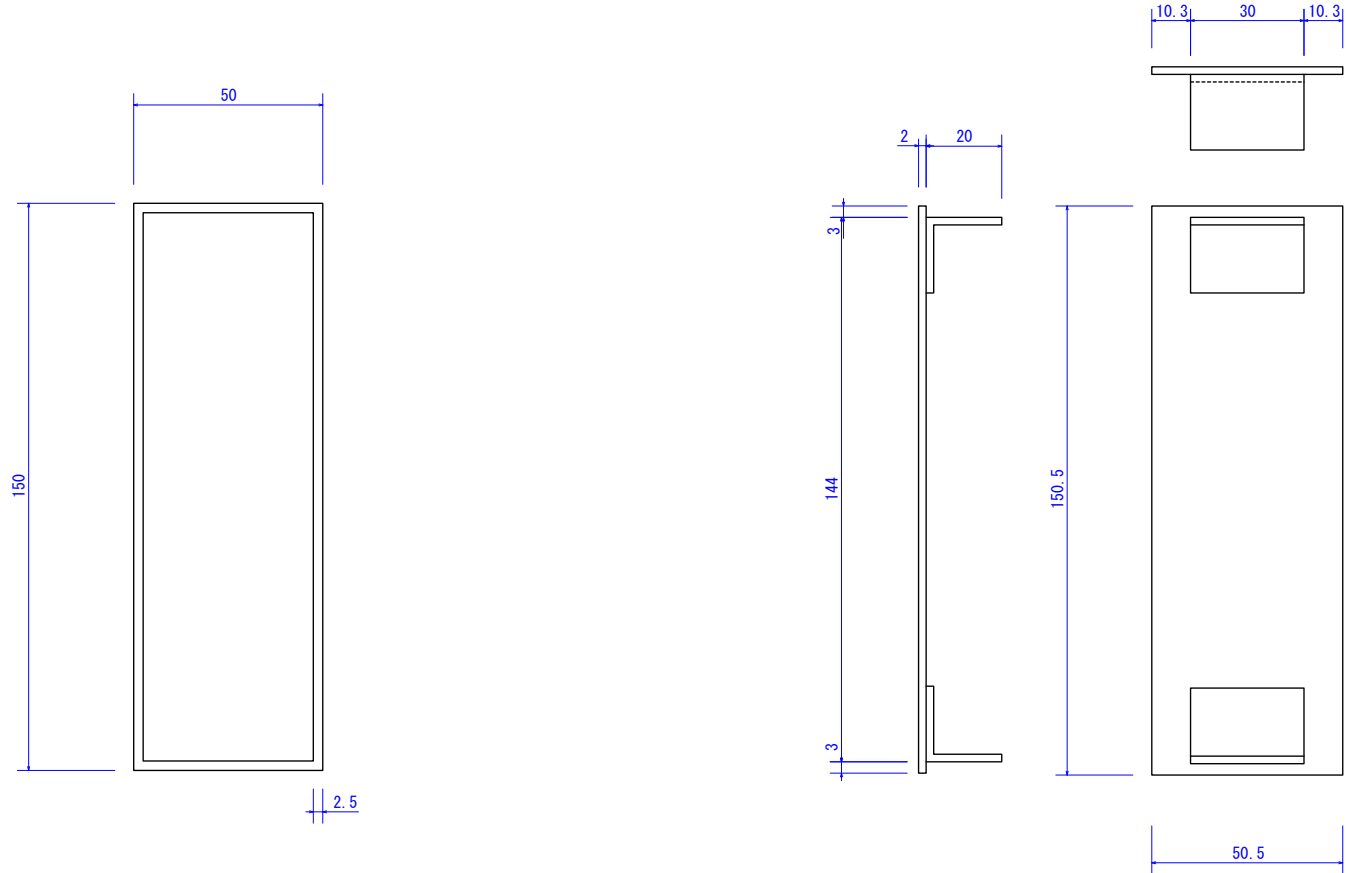
		Product Name				Project Name		Date	Page	Scale	Projection	
		KOSHI RECTANGLE 50X100						07/2021	13 of 31	1:1		
												
	Install	Never strike extrusion directly with a hammer or rubber mallet. Use a pine plank between the tool and the extrusion to avoid surface damage or denting.				Approval	Check	Drawing	Design	 Covet International 27 / 131 Hyde St Yarraville VIC 3013		
	End Caps	Screw fix to secure cap to batten.										





# Koshi batten detail

## Profile: Rectangle 50X150

Weight: 2.633 kg/m  
 Batten thickness: 2.5mm  
 End cap thickness: 2.0mm  
 End cap: Painted aluminium

### Endcap detail

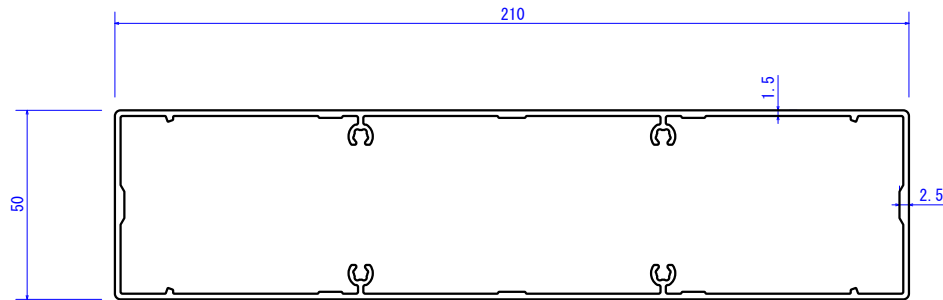


		Product Name				Project Name		Date	Page	Scale	Projection
		KOSHI RECTANGLE 50X150						07/2021	14 of 31	1:2	
	Install	Never strike extrusion directly with a hammer or rubber mallet. Use a pine plank between the tool and the extrusion to avoid surface damage or denting.		Approval	Check	Design	 Covet International 27 / 131 Hyde St Yarraville VIC 3013				
	End Caps	Screw fix to secure cap to batten.									

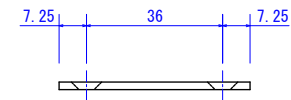
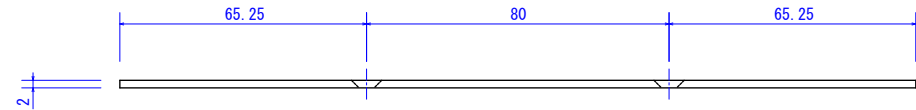
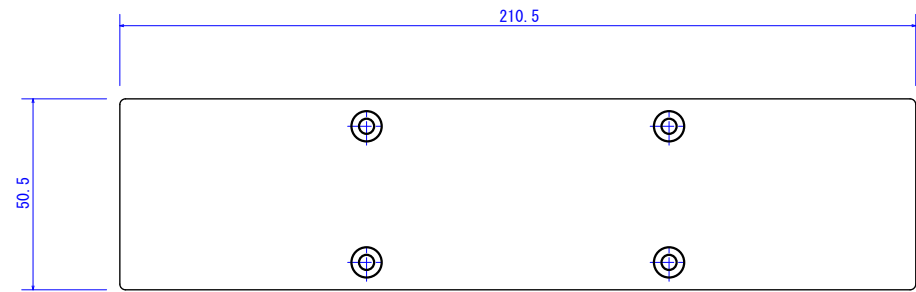
# Koshi batten detail





## Profile: Rectangle 50X210

Weight: 2.427kg/m  
 Batten thickness: 1.5 / 2.5mm  
 End cap thickness: 2.0mm  
 End cap: Painted aluminium



## Endcap detail



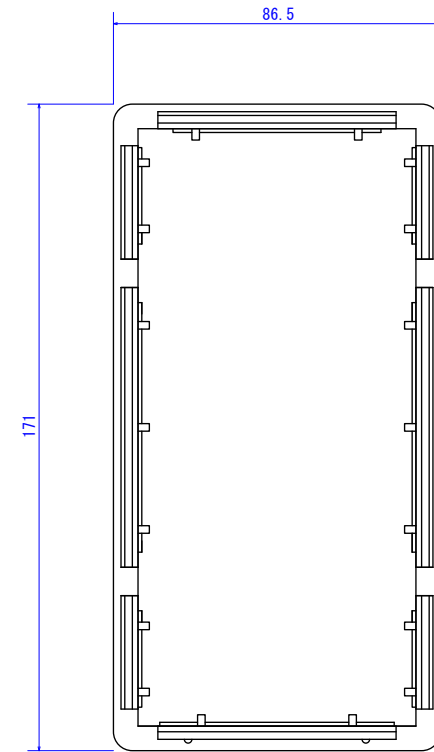
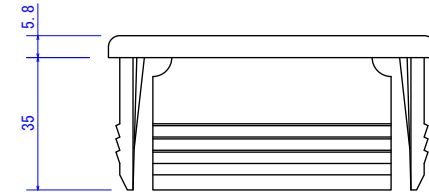
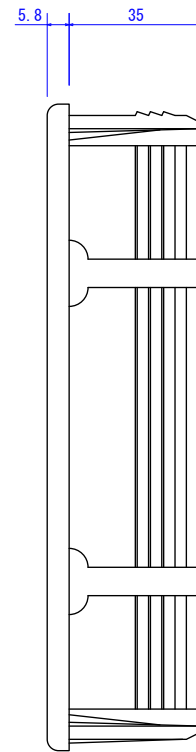
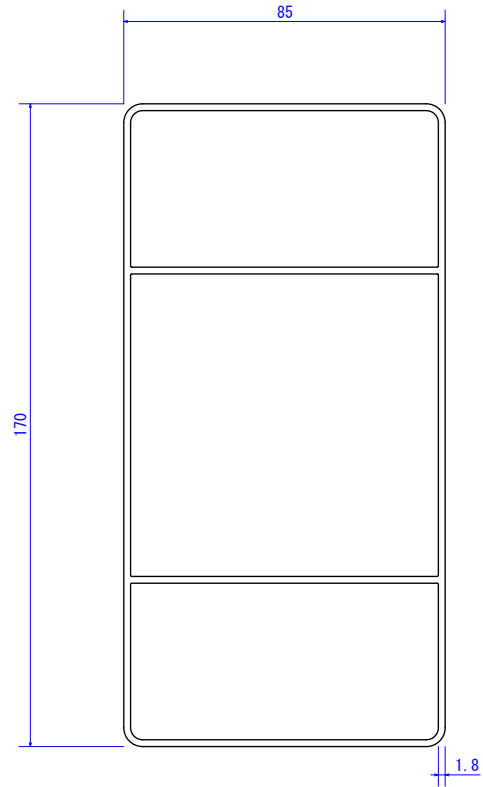
		Product Name				Project Name		Date	Page	Scale	Projection
		KOSHI RECTANGLE 50X210						07/2021	15 of 31	1:2	
	Install	Never strike extrusion directly with a hammer or rubber mallet. Use a pine plank between the tool and the extrusion to avoid surface damage or denting.		Approval	Check	Drawing	Design	<div style="display: flex; justify-content: space-between; align-items: center;">  <div style="text-align: right;">                     Covet International                      27 / 131 Hyde St                      Yarraville VIC 3013                 </div> <div style="text-align: right;">                     T +613 9398 8128                      info@covet.com.au                      www.covet.com.au                 </div> </div>			
	End Caps	Screw fix to secure cap to batten.									






# Koshi batten detail

## Profile: Rectangle 85X170

Weight: 8.201 kg/m  
 Batten thickness: 1.8mm  
 End cap thickness: 5.8mm  
 End cap: Coloured ABS plastic

## Endcap detail



		Product Name				Project Name		Date	Page	Scale	Projection	
		KOSHI RECTANGLE 85X170						07/2021	16 of 31	1:2		
												
	Install	Never strike extrusion directly with a hammer or rubber mallet. Use a pine plank between the tool and the extrusion to avoid surface damage or denting.				Approval	Check	Drawing	Design	 Covet International 27 / 131 Hyde St Yarraville VIC 3013		
	End Caps	Screw fix or apply exterior grade adhesive (Sikaflex) to secure cap to batten.										



## Koshi batten detail

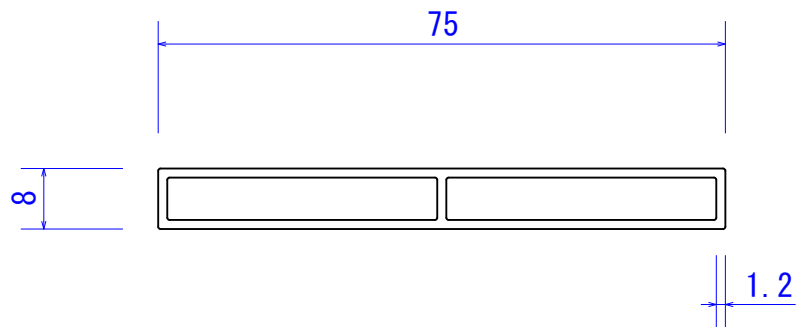
### Profile: Plank 75x8 (square edge)

Weight: 0.541 kg/m

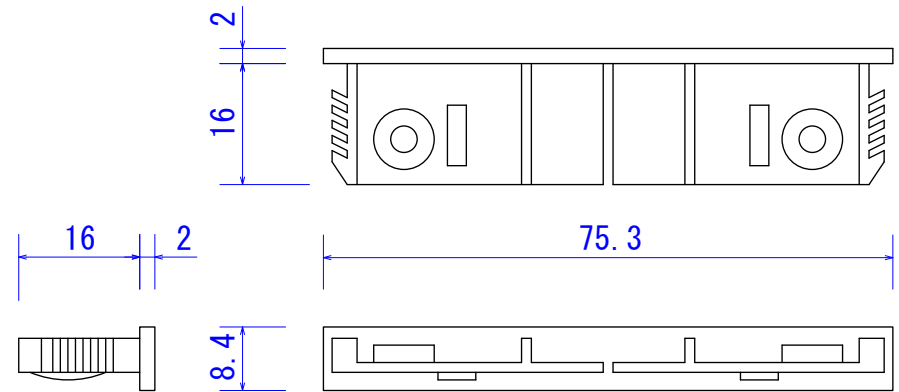
Batten thickness: 1.2mm






End cap thickness: 2.0mm

End cap: Coloured ABS plastic



### Endcap detail



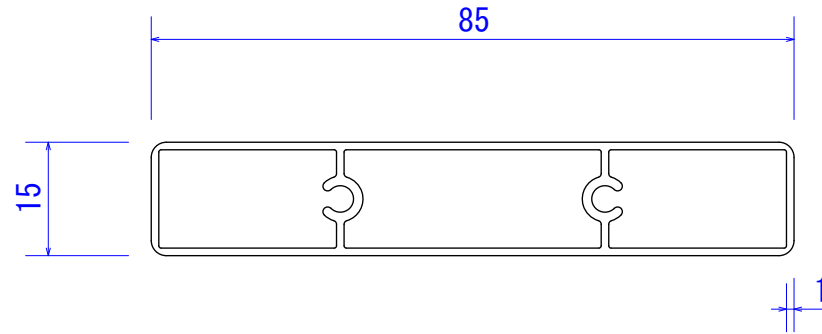
		Product Name				Project Name		Date	Page	Scale	Projection
		KOSHI PLANK 75x8						07/2021	17 of 31	1:1	
				Approval	Check	Drawing	Design	<div style="display: flex; justify-content: space-between;"> <div style="text-align: center;">  </div> <div>                     Covet International                      27 / 131 Hyde St                      Yarraville VIC 3013                 </div> <div>                     T +613 9398 8128                      info@covet.com.au                      www.covet.com.au                 </div> </div>			
	Install	Never strike extrusion directly with a hammer or rubber mallet. Use a pine plank between the tool and the extrusion to avoid surface damage or denting.									
	End Caps	Screw fix or apply exterior grade adhesive (Sikaflex) to secure cap to batten.									

## Koshi batten detail

### Profile: Plank 85x15 (square edge)

Weight: 0.641 kg/m

Batten thickness: 1.0mm



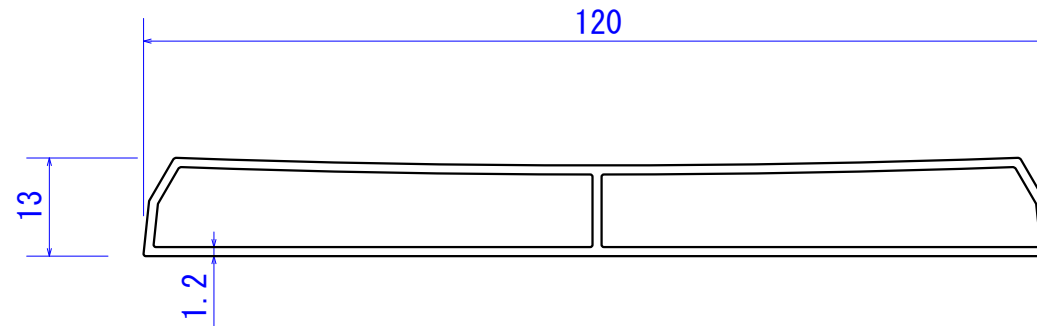
		Product Name				Project Name		Date	Page	Scale	Projection
		KOSHI PLANK 85X15						07/2021	18 of 31	1:1	
						<b>covet</b> <sup>®</sup>		Covet International 27 / 131 Hyde St Yarraville VIC 3013		T +613 9398 8128 info@covet.com.au www.covet.com.au	
	Install	Never strike extrusion directly with a hammer or rubber mallet. Use a pine plank between the tool and the extrusion to avoid surface damage or denting.									
		Approval	Check	Drawing	Design						

## Koshi batten detail

### Profile: Plank 120x13 (round edge)

Weight: 0.858kg/m

Batten thickness: 1.2mm



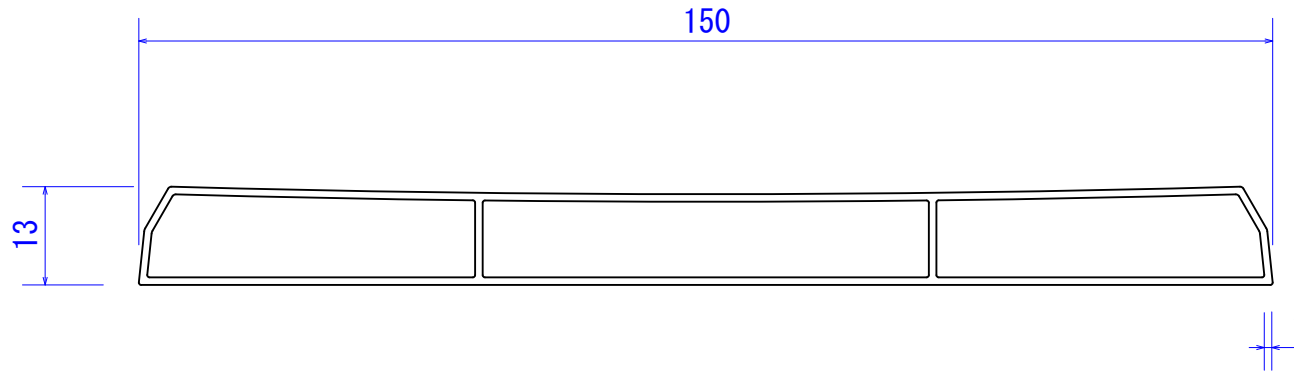
		Product Name				Project Name		Date	Page	Scale	Projection	
		KOSHI PLANK 120X13 (round)						07/2021	19 of 31	1:1		
	Install	Never strike extrusion directly with a hammer or rubber mallet. Use a pine plank between the tool and the extrusion to avoid surface damage or denting.				Approval	Check	Drawing	Design	Covet International 27 / 131 Hyde St Yarraville VIC 3013 T +613 9398 8128 info@covet.com.au www.covet.com.au		

# Koshi batten detail

## Profile: Plank 150x13 (round edge)

Weight: 0.925kg/m

Batten thickness: 1.0mm

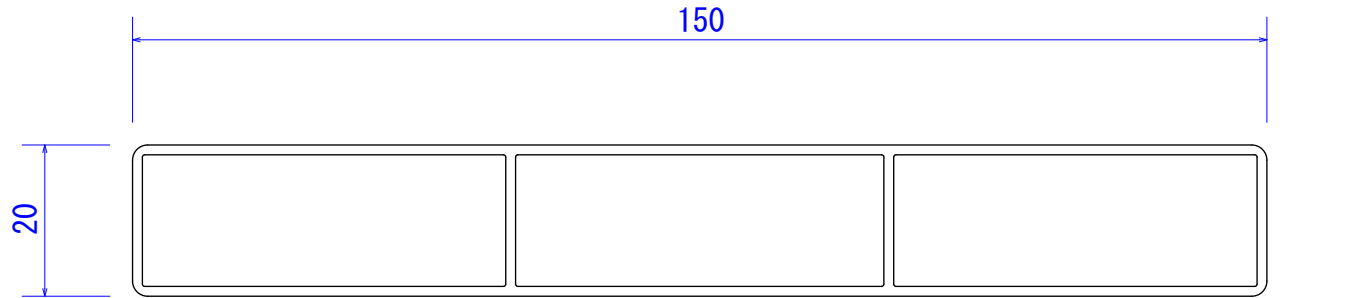


		Product Name				Project Name	Date	Page	Scale	Projection
		KOSHI PLANK 150X13 (round)					07/2021	20 of 31	1:1	
								Covet International 27 / 131 Hyde St Yarraville VIC 3013		T +613 9398 8128 info@covet.com.au www.covet.com.au
	Install	Never strike extrusion directly with a hammer or rubber mallet. Use a pine plank between the tool and the extrusion to avoid surface damage or denting.								

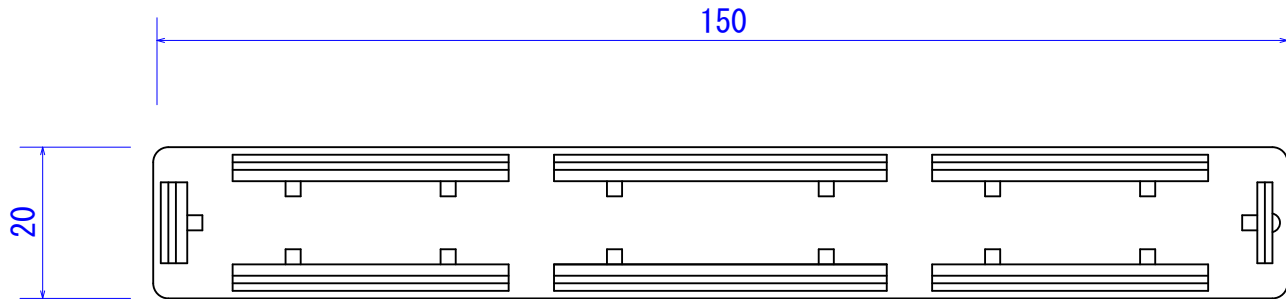
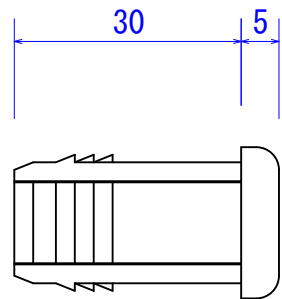
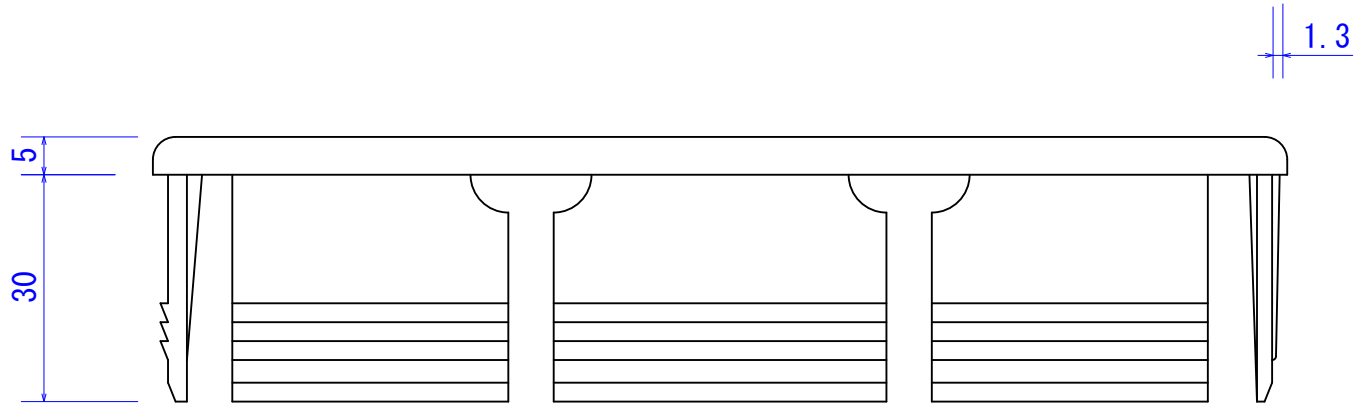
# Koshi batten detail






## Profile: Plank 150x20 (square edge)

Weight: 1.329 kg/m  
 Batten thickness: 1.3mm  
 End cap thickness: 5.0mm  
 End cap: Coloured ABS plastic



## Endcap detail



		Product Name				Project Name		Date	Page	Scale	Projection	
		KOSHI PLANK 150X20						07/2021	21 of 31	1:1		
												
	Install	Never strike extrusion directly with a hammer or rubber mallet. Use a pine plank between the tool and the extrusion to avoid surface damage or denting.				Approval	Check	Drawing	Design	 Covet International 27 / 131 Hyde St Yarraville VIC 3013 T +613 9398 8128 info@covet.com.au www.covet.com.au		
	End Caps	Screw fix or apply exterior grade adhesive (Sikaflex) to secure cap to batten.										

## Koshi batten detail

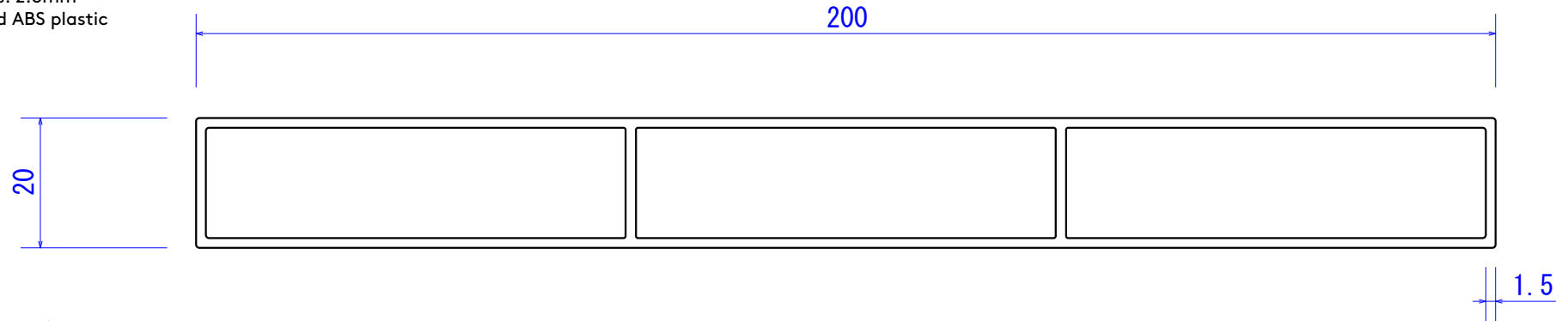
### Profile: Plank 200x20 (square edge)

Weight: 1.905 kg/m

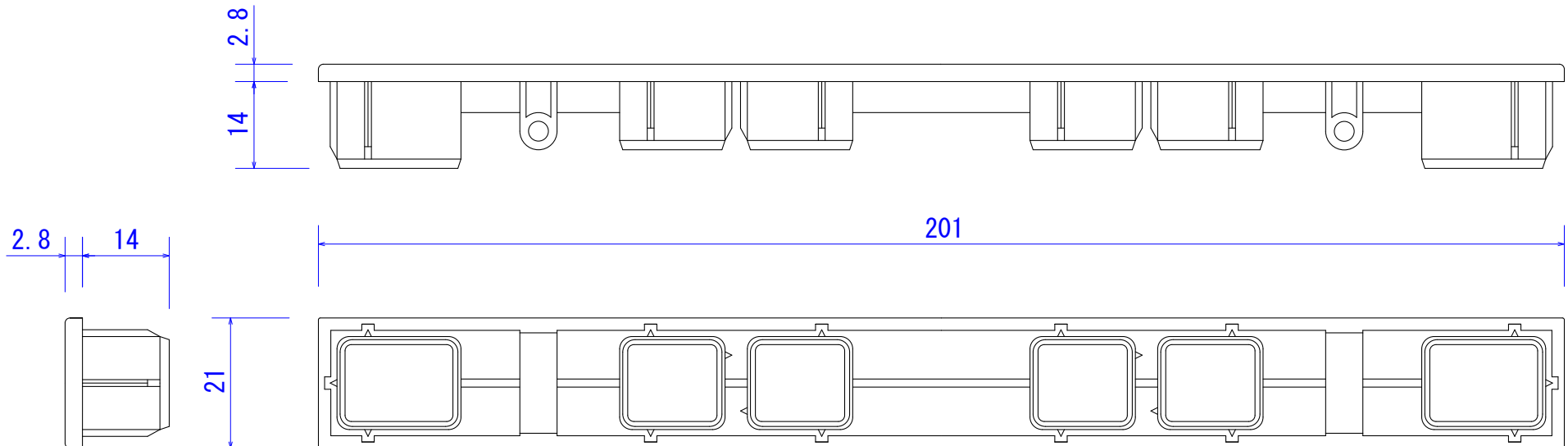
Batten thickness: 1.5mm

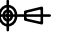



End cap thickness: 2.8mm

End cap: Coloured ABS plastic



### Endcap detail



		Product Name				Project Name		Date	Page	Scale	Projection	
		KOSHI PLANK 200X20						07/2021	22 of 31	1:1		
	Install	Never strike extrusion directly with a hammer or rubber mallet. Use a pine plank between the tool and the extrusion to avoid surface damage or denting.				Approval	Check	Drawing	Design	 Covet International 27 / 131 Hyde St Yarraville VIC 3013 T +613 9398 8128 info@covet.com.au www.covet.com.au		
	End Caps	Screw fix or apply exterior grade adhesive (Sikaflex) to secure cap to batten.										

## Koshi batten detail

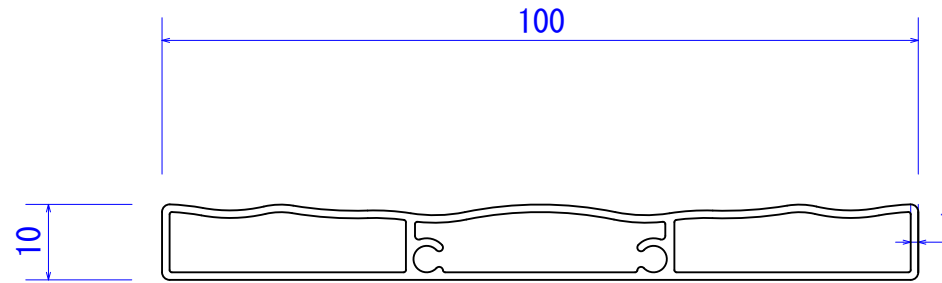
### Profile: Nami Plank 100x10 (square edge)

Weight: 0.654 kg/m

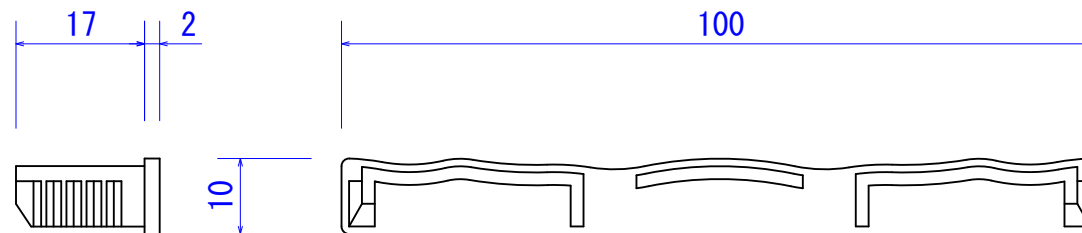
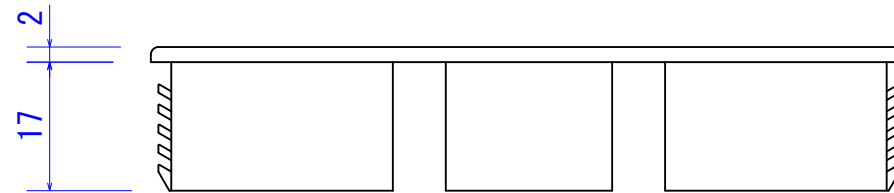
Batten thickness: 1.0mm

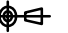



End cap thickness: 2.0mm

End cap: Coloured ABS plastic



### Endcap detail



		Product Name				Project Name	Date	Page	Scale	Projection	
		KOSHI NAMI PLANK 100X10					07/2021	23 of 31	1:1		
	Install	Never strike extrusion directly with a hammer or rubber mallet. Use a pine plank between the tool and the extrusion to avoid surface damage or denting.				Approval	Check	Drawing	Design	 Covet International 27 / 131 Hyde St Yarraville VIC 3013	T +613 9398 8128 info@covet.com.au www.covet.com.au
	End Caps	Screw fix or apply exterior grade adhesive (Sikaflex) to secure cap to batten.									

## Koshi batten detail

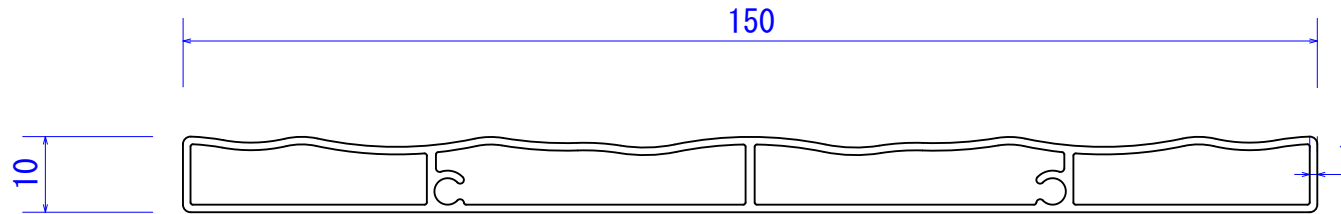
### Profile: Nami Plank 150x10 (square edge)

Weight: 0.952 kg/m

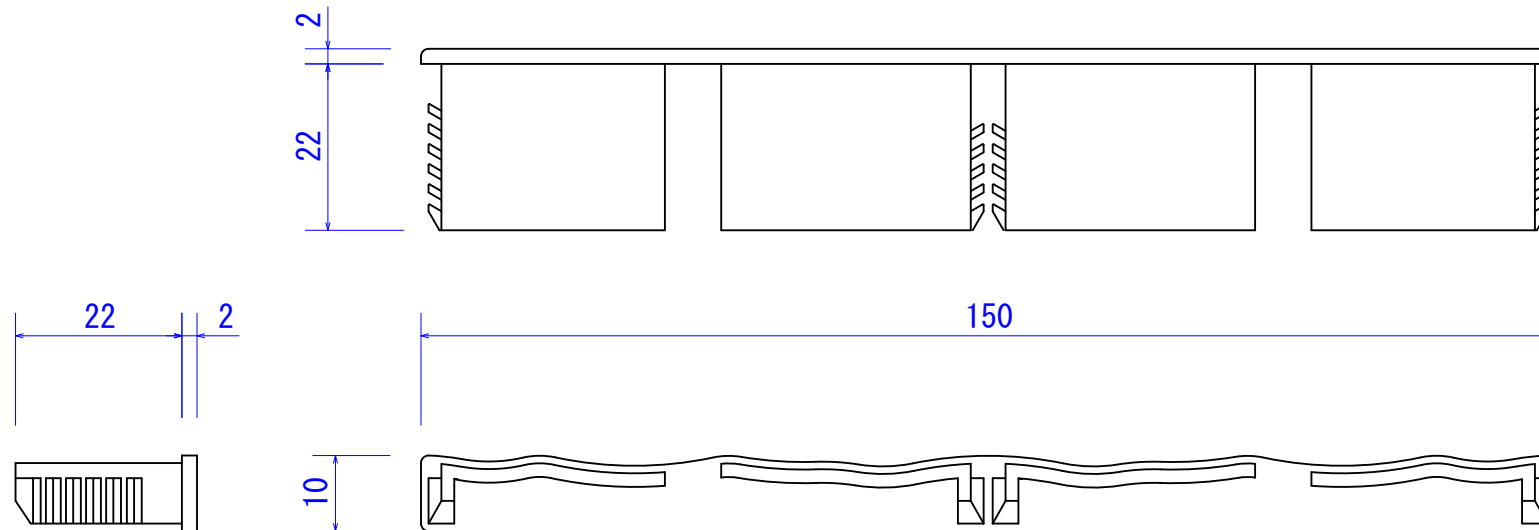
Batten thickness: 1.0mm





End cap thickness: 2.0mm

End cap: Coloured ABS plastic



### Endcap detail



		Product Name				Project Name		Date	Page	Scale	Projection
		KOSHI NAMI PLANK 150X10						07/2021	24 of 31	1:1	
	Install	Never strike extrusion directly with a hammer or rubber mallet. Use a pine plank between the tool and the extrusion to avoid surface damage or denting.		Approval	Check	Drawing	Design	 Covet International 27 / 131 Hyde St Yarraville VIC 3013			
	End Caps	Screw fix or apply exterior grade adhesive (Sikaflex) to secure cap to batten.									

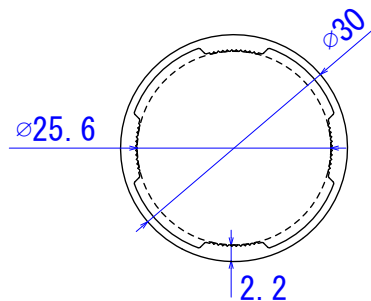




# Koshi batten detail

## Profile: Round 30

Weight: 0.347 kg/m  
 Batten thickness: 2.2mm  
 End cap thickness: 2.8mm  
 End cap: Coloured ABS plastic



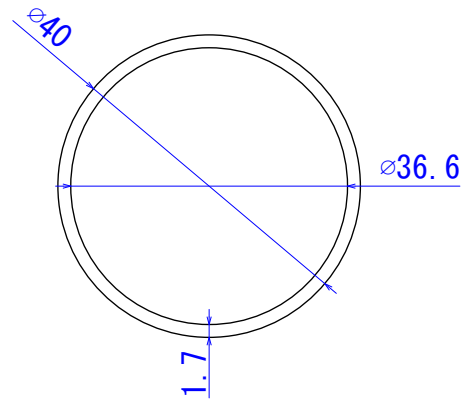
		Product Name				Project Name		Date	Page	Scale	Projection	
		KOSHI ROUND 30MM						07/2021	26 of 31	1:1		
	<b>Install</b>	Never strike extrusion directly with a hammer or rubber mallet. Use a pine plank between the tool and the extrusion to avoid surface damage or denting.				Approval	Check	Drawing	Design	<div style="display: flex; justify-content: space-between; align-items: center;"> <div style="font-size: 2em; font-weight: bold; color: red;">covet<sup>®</sup></div> <div style="text-align: right; font-size: 0.8em;">           Covet International            27 / 131 Hyde St            Yarraville VIC 3013         </div> <div style="text-align: right; font-size: 0.8em;">           T +613 9398 8128            info@covet.com.au            www.covet.com.au         </div> </div>		
	<b>End Caps</b>	Screw fix or apply exterior grade adhesive (Sikaflex) to secure cap to batten.										

# Koshi batten detail

## Profile: Round 40

Weight: 0.552 kg/m

Batten thickness: 1.7mm



			Product Name				Project Name	Date	Page	Scale	Projection	
			KOSHI ROUND 40MM					07/2021	27 of 31	1:1		
			Approval	Check	Drawing	Design			Covet International 27 / 131 Hyde St Yarraville VIC 3013		T +613 9398 8128 info@covet.com.au www.covet.com.au	
	Install	Never strike extrusion directly with a hammer or rubber mallet. Use a pine plank between the tool and the extrusion to avoid surface damage or denting.										

## Koshi batten detail

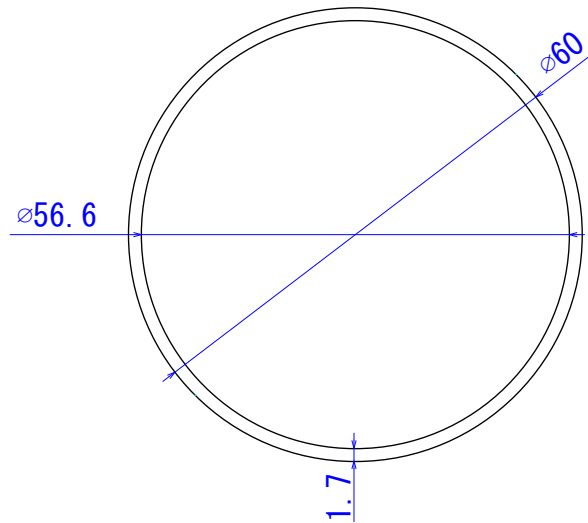
### Profile: Round 60

Weight: 0.841 kg/m

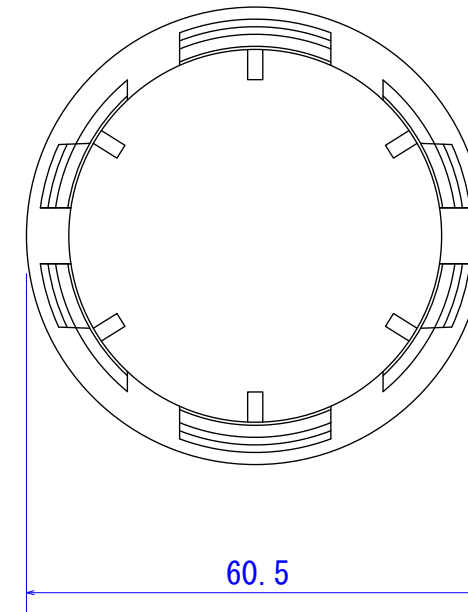
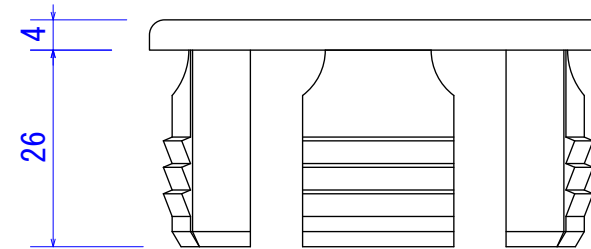
Batten thickness: 1.7mm




End cap thickness: 4.0mm

End cap: Coloured ABS plastic



### Endcap detail



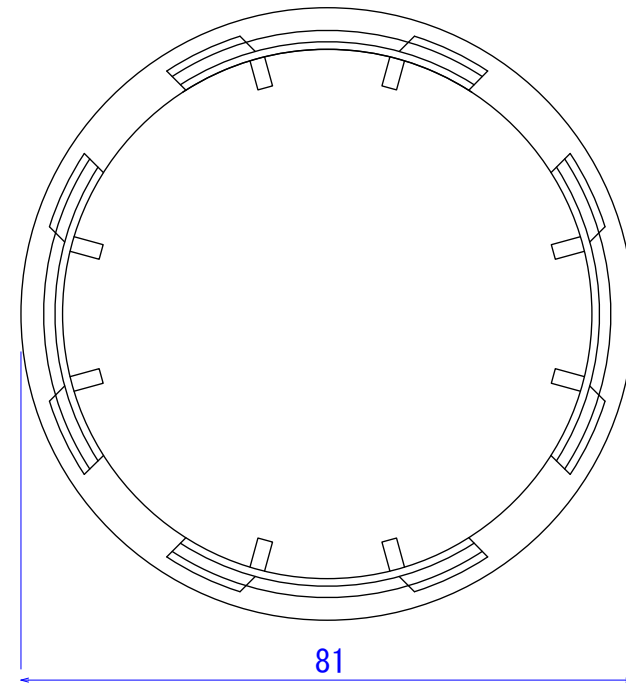
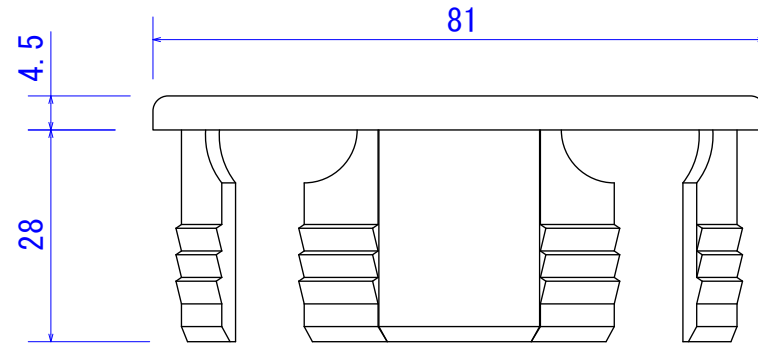
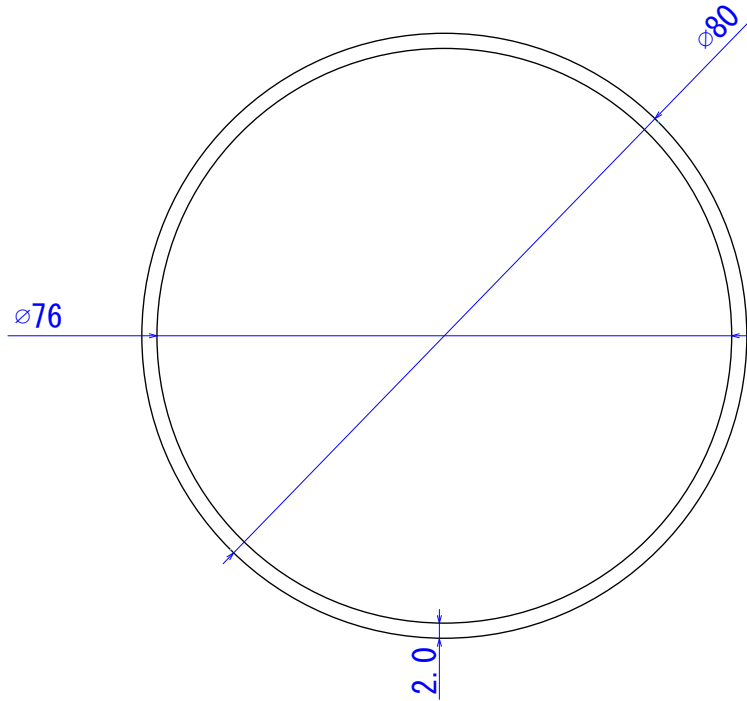
		Product Name				Project Name		Date	Page	Scale	Projection	
		KOSHI ROUND 60MM						07/2021	28 of 31	1:1		
	Install	Never strike extrusion directly with a hammer or rubber mallet. Use a pine plank between the tool and the extrusion to avoid surface damage or denting.				Approval	Check	Drawing	Design	<div style="display: flex; justify-content: space-between; align-items: center;"> <div style="font-size: 2em; font-weight: bold; color: red;">covet<sup>®</sup></div> <div style="text-align: right;">                     Covet International                      27 / 131 Hyde St                      Yarraville VIC 3013                 </div> <div style="text-align: right;">                     T +613 9398 8128                      info@covet.com.au                      www.covet.com.au                 </div> </div>		
	End Caps	Screw fix or apply exterior grade adhesive (Sikaflex) to secure cap to batten.										





# Koshi batten detail

## Profile: Round 80

Weight: 1.323 kg/m  
 Batten thickness: 2.0mm  
 End cap thickness: 4.5mm  
 End cap: Coloured ABS plastic

## Endcap detail



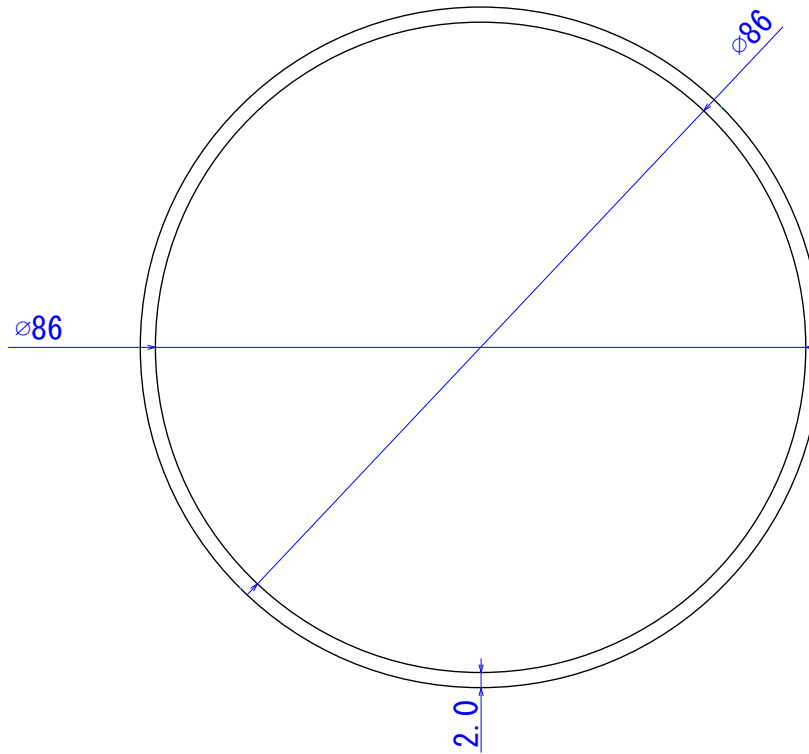
		Product Name				Project Name		Date	Page	Scale	Projection
		KOSHI ROUND 80MM						07/2021	29 of 31	1:1	
	Install	Never strike extrusion directly with a hammer or rubber mallet. Use a pine plank between the tool and the extrusion to avoid surface damage or denting.		Approval	Check	Drawing	Design	 Covet International 27 / 131 Hyde St Yarraville VIC 3013			
	End Caps	Screw fix or apply exterior grade adhesive (Sikaflex) to secure cap to batten.									

# Koshi batten detail

## Profile: Round 90

Weight: 1.493 kg/m






Batten thickness: 2.0mm



			Product Name				Project Name	Date	Page	Scale	Projection	
			KOSHI ROUND 90MM					07/2021	30 of 31	1:1		
			Approval	Check	Drawing	Design			Covet International 27 / 131 Hyde St Yarraville VIC 3013		T +613 9398 8128 info@covet.com.au www.covet.com.au	
	Install	Never strike extrusion directly with a hammer or rubber mallet. Use a pine plank between the tool and the extrusion to avoid surface damage or denting.										

## Koshi Batten Installation Guide

- Aluminium can be damaged if mishandled. Never strike directly with a hammer or rubber mallet. Use a pine plank between the striking rubber mallet and the extrusion to avoid surface damage or denting.
- Cut aluminium with a drop saw using an aluminium blade.
- Always cap ends of extrusions with supplied end caps or a flashing to avoid moisture ingress.
- Metal end caps (painted) must be screwed to the extrusion.
- All end caps can only be applied to straight 90 degree cuts. They cannot be applied to angle end cuts.
- Ensure appropriate screws are used to suit the substrate you are fastening to. It is important to use stainless steel or bi-metal screws for all metal surfaces impacted when fastening (i.e. furring channels, top hats, steel frames). This will prevent galvanic reaction between the screw/substrate and aluminium extrusion.
- Fasten at maximum 1 metre spans. Please contact Covet for further information.

		Product Name				Project Name	Date	Page	Scale	Projection
		KOSHI					07/2021	31 of 31		
										
	Install	Never strike extrusion directly with a hammer or rubber mallet. Use a pine plank between the tool and the extrusion to avoid surface damage or denting.	Approval	Check	Drawing	Design			Covet International 27 / 131 Hyde St Yarraville VIC 3013	
	End Caps	Screw fix or apply exterior grade adhesive (Sikaflex) to secure cap to batten.								