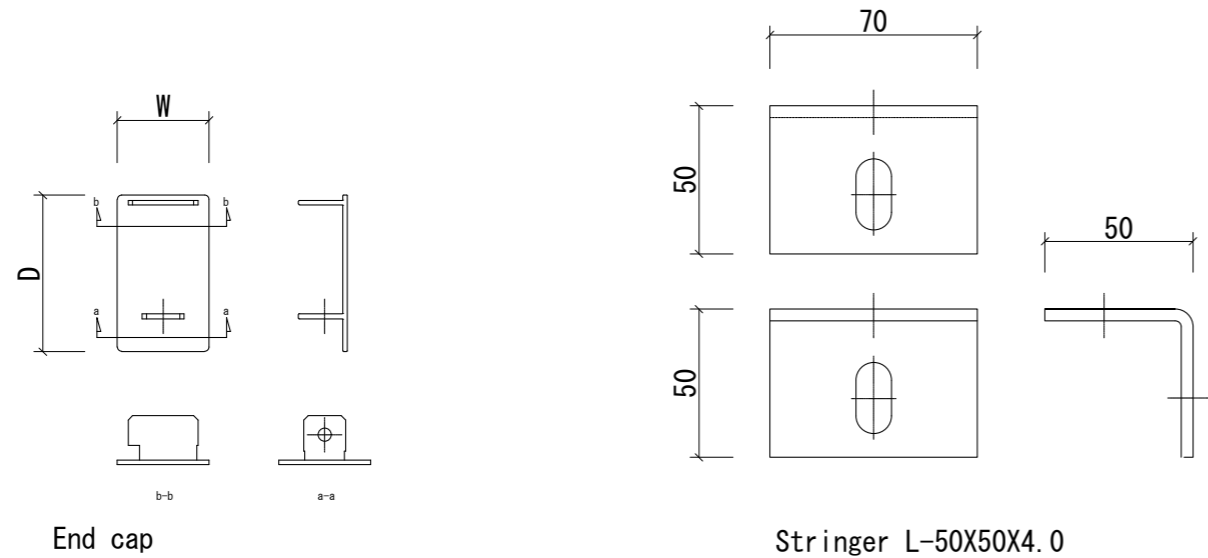
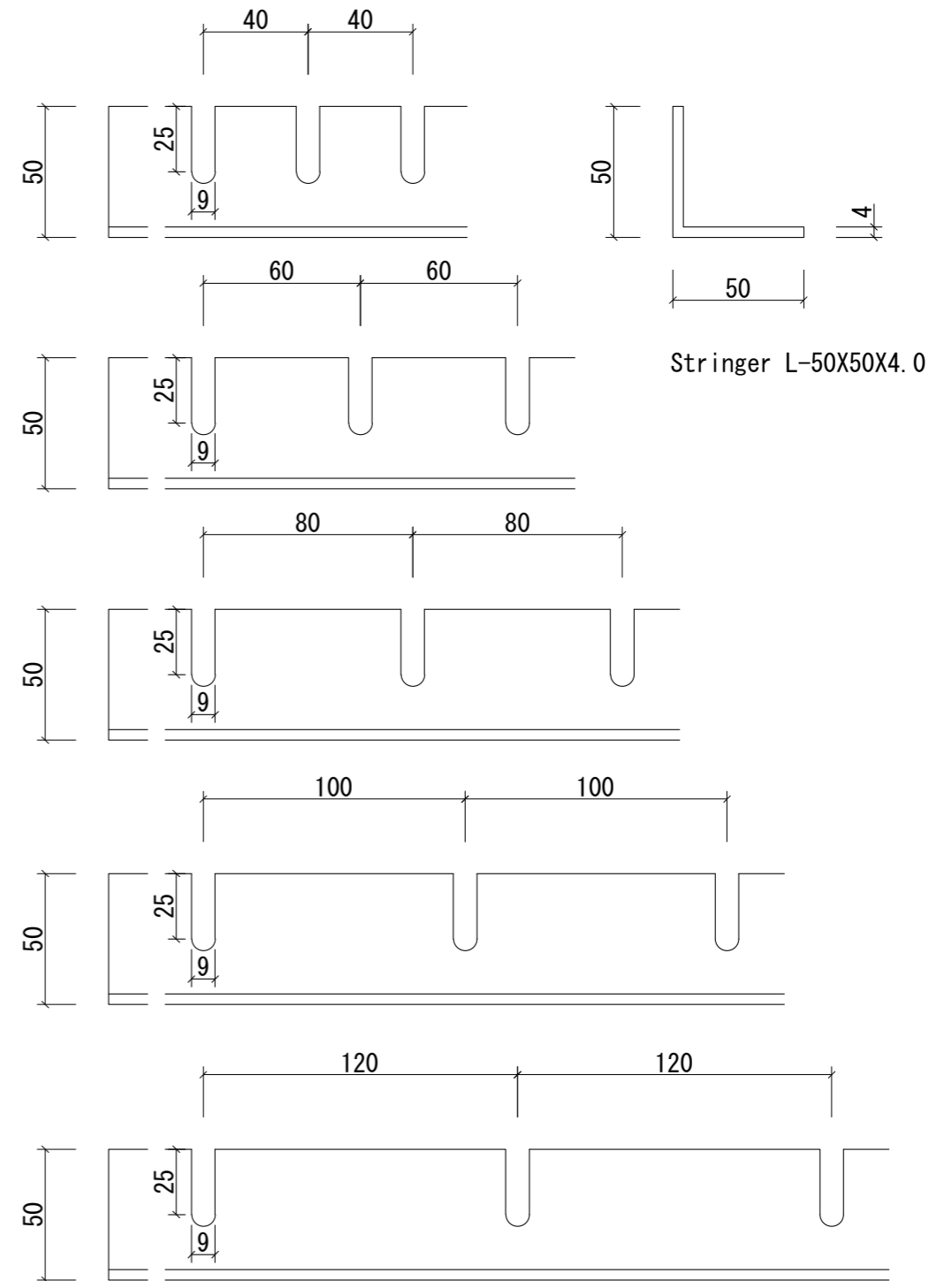


Mizotsuki Batten System detail

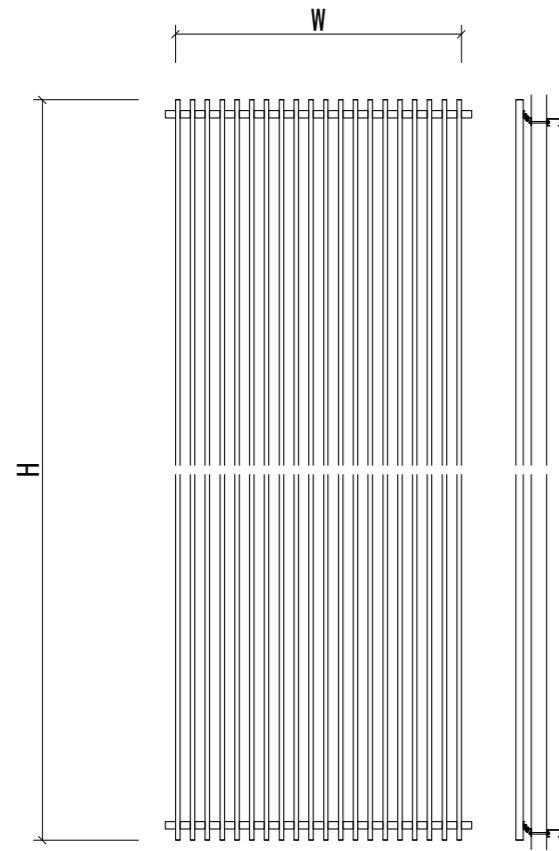
Profile: Mizotsuki L Brackets



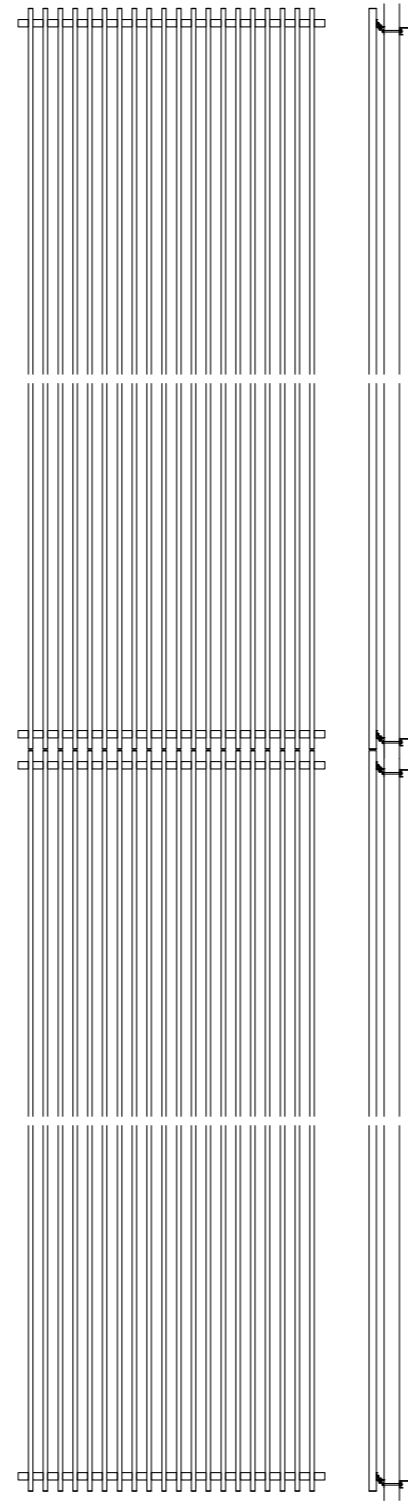
		Product Name				Project Name	Date	Page	Scale	Projection
		MIZOTSUKI L BRACKETS					06/2021	1 of 15	1:50 (A3)	
		Approval	Check	Drawing	Design			Covet International 27 / 131 Hyde St Yarraville VIC 3013		T +613 9398 8128 info@covet.com.au www.covet.com.au

Mizotsuki Batten System detail

Profile: Mizotsuki Fixings

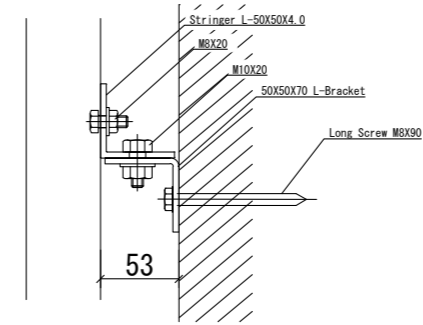


SINGLE PANEL

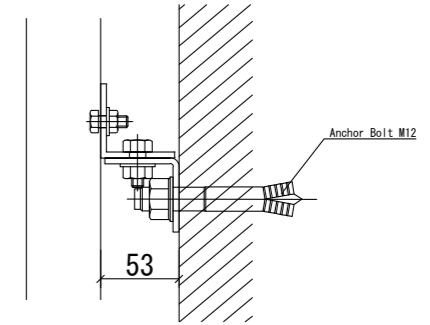


MULTIPLE PANEL

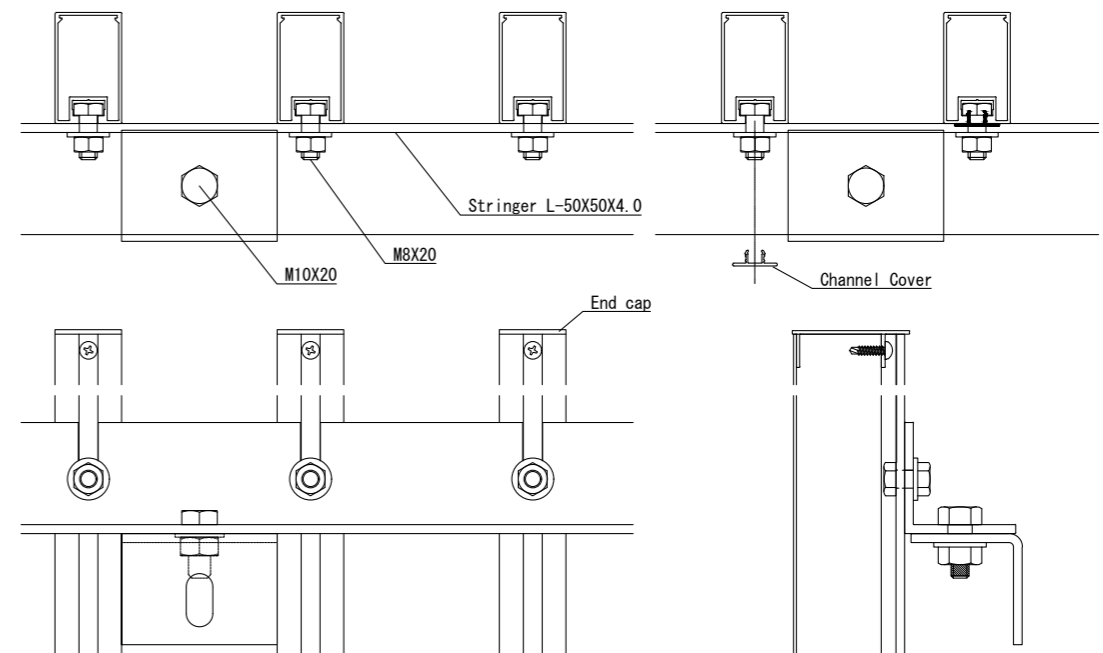
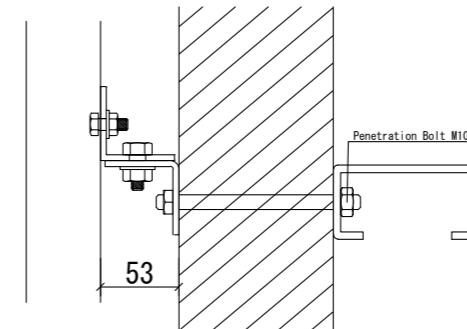
WOOD STRUCTURE



CONCRETE STRUCTURE



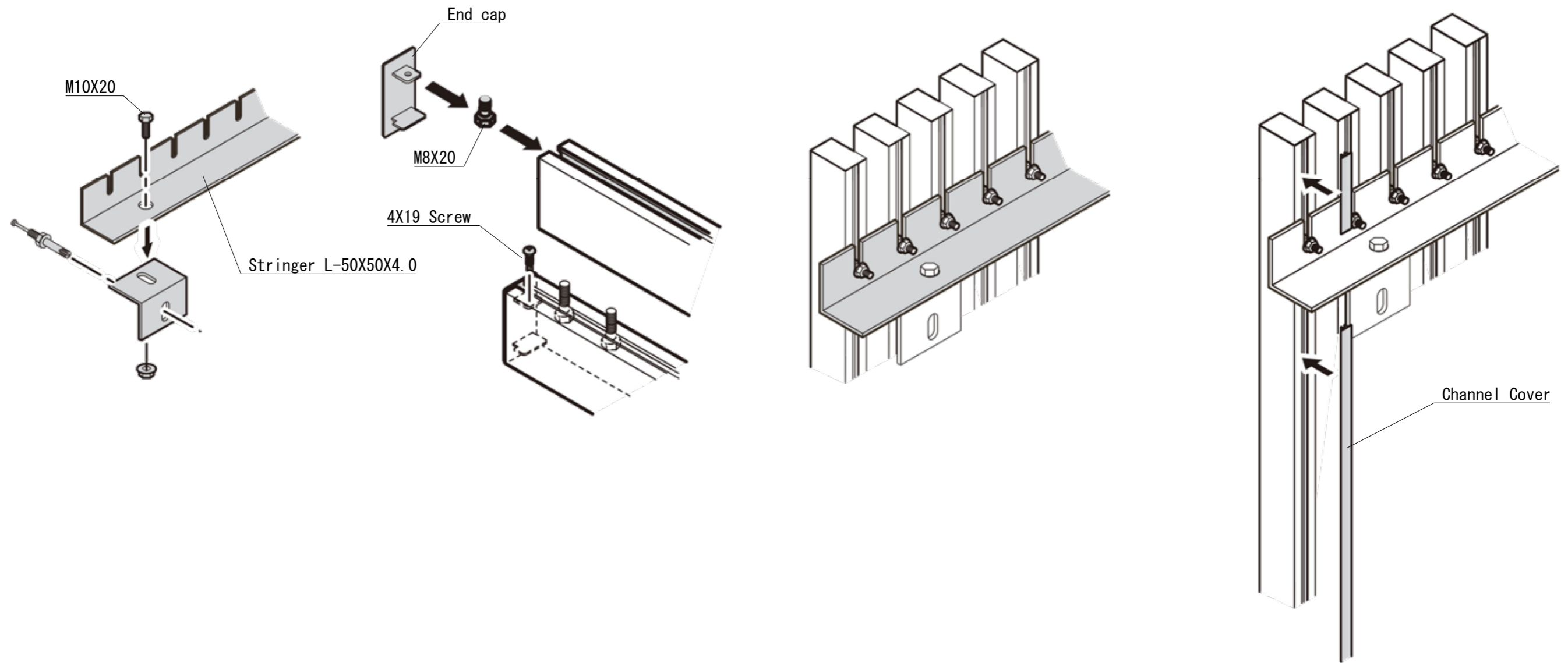
ALC AUTOCLAVED LIGHT WEIGHT CONCRETE




			Product Name				Project Name	Date	Page	Scale	Projection	
			MIZOTSUKI FIXINGS					06/2021	2 of 15			
			Approval	Check	Drawing	Design			Covet International 27 / 131 Hyde St Yarraville VIC 3013		T +613 9398 8128 info@covet.com.au www.covet.com.au	

Mizotsuki Batten System detail

Installation

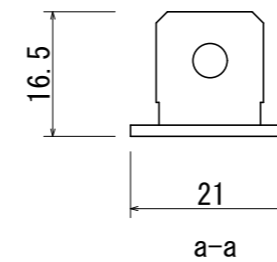
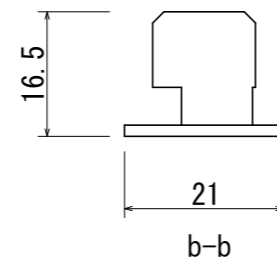
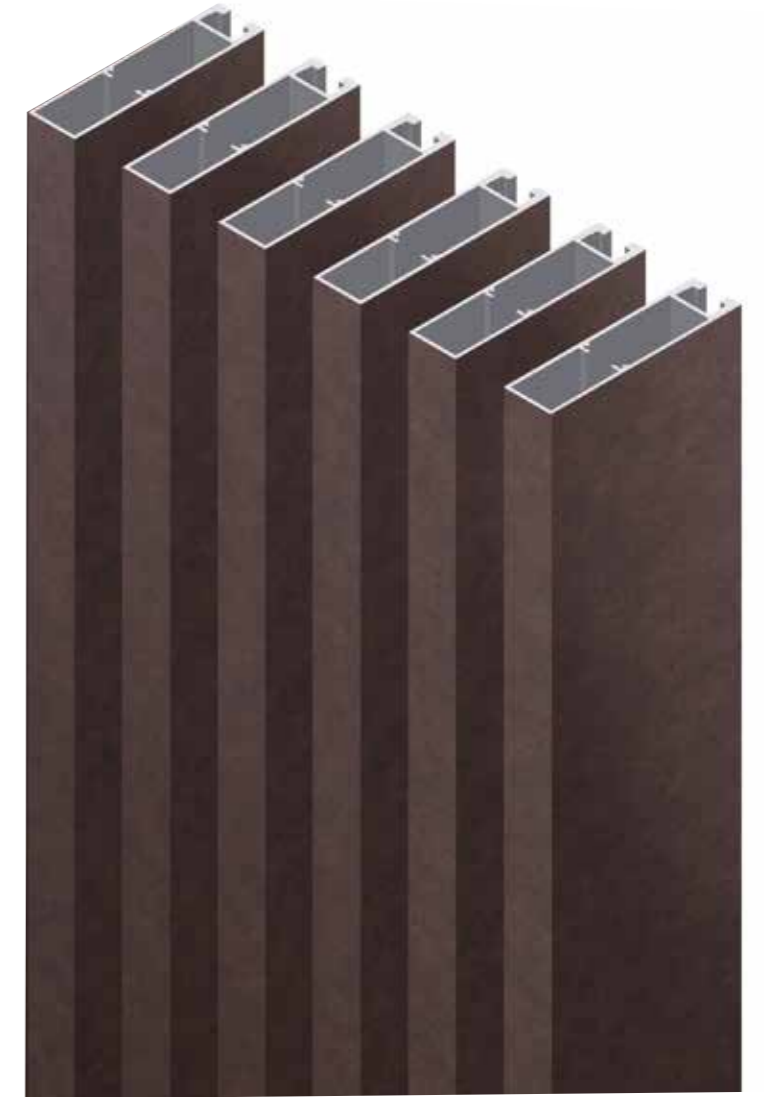
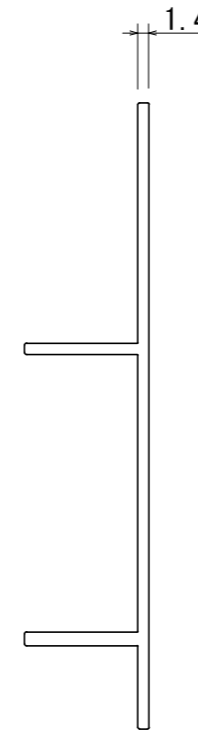
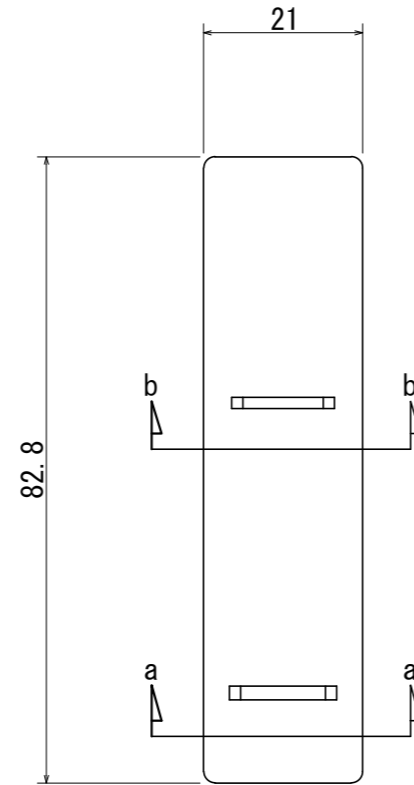
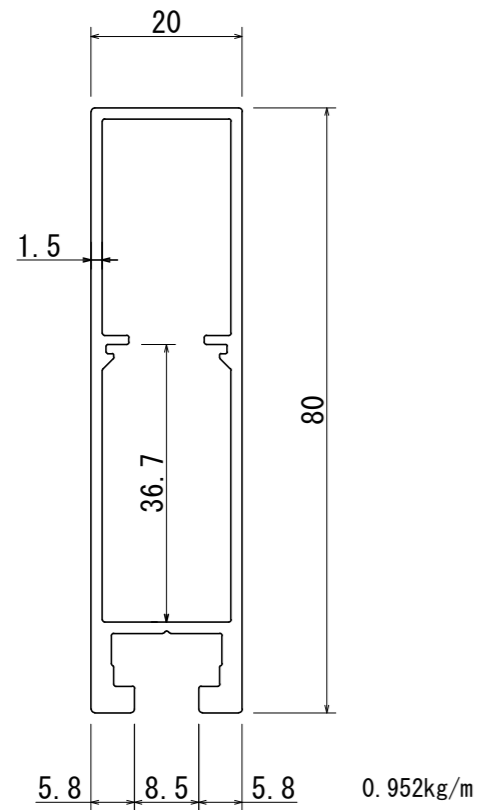


			Product Name				Project Name	Date	Page	Scale	Projection		
			MIZOTSUKI INSTALLATION					06/2021	3 of 15		⊕		
3			Approval	Check	Drawing	Design				Covet International 27 / 131 Hyde St Yarraville VIC 3013		T +613 9398 8128 info@covet.com.au www.covet.com.au	
2													
1													

Mizotsuki Batten System detail

Profile: Mizotsuki 20X80

Batten: 0.952 kg/m

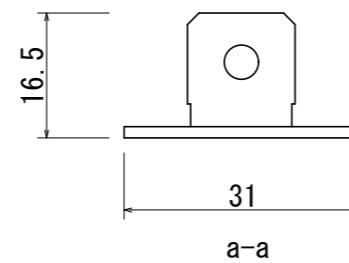
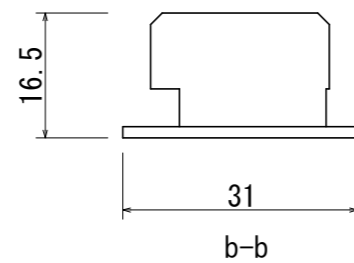
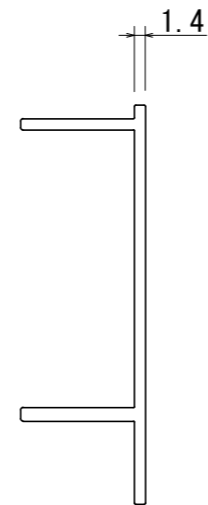
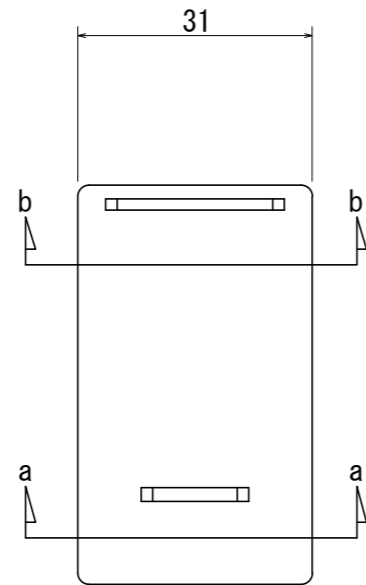
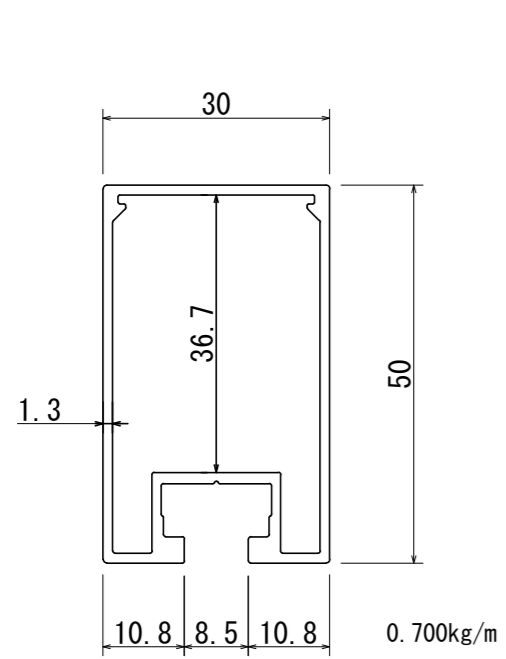


		Product Name				Project Name	Date	Page	Scale	Projection	
		MIZOTSUKI 20X80					06/2021	4 of 15	1:1 (A3)		
		Approval	Check	Drawing	Design			Covet International 27 / 131 Hyde St Yarraville VIC 3013		T +613 9398 8128 info@covet.com.au www.covet.com.au	

Mizotsuki Batten System detail

Profile: Mizotsuki 30X50

Batten: 0.700 kg/m

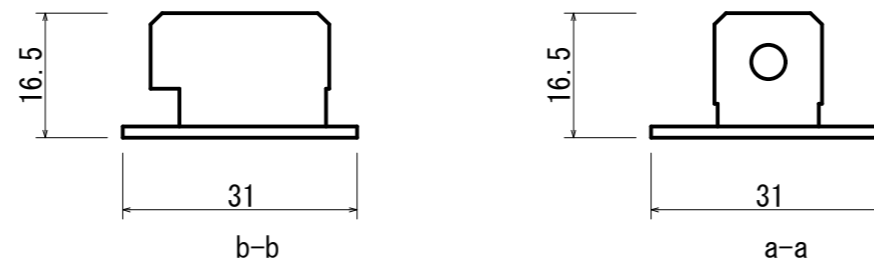
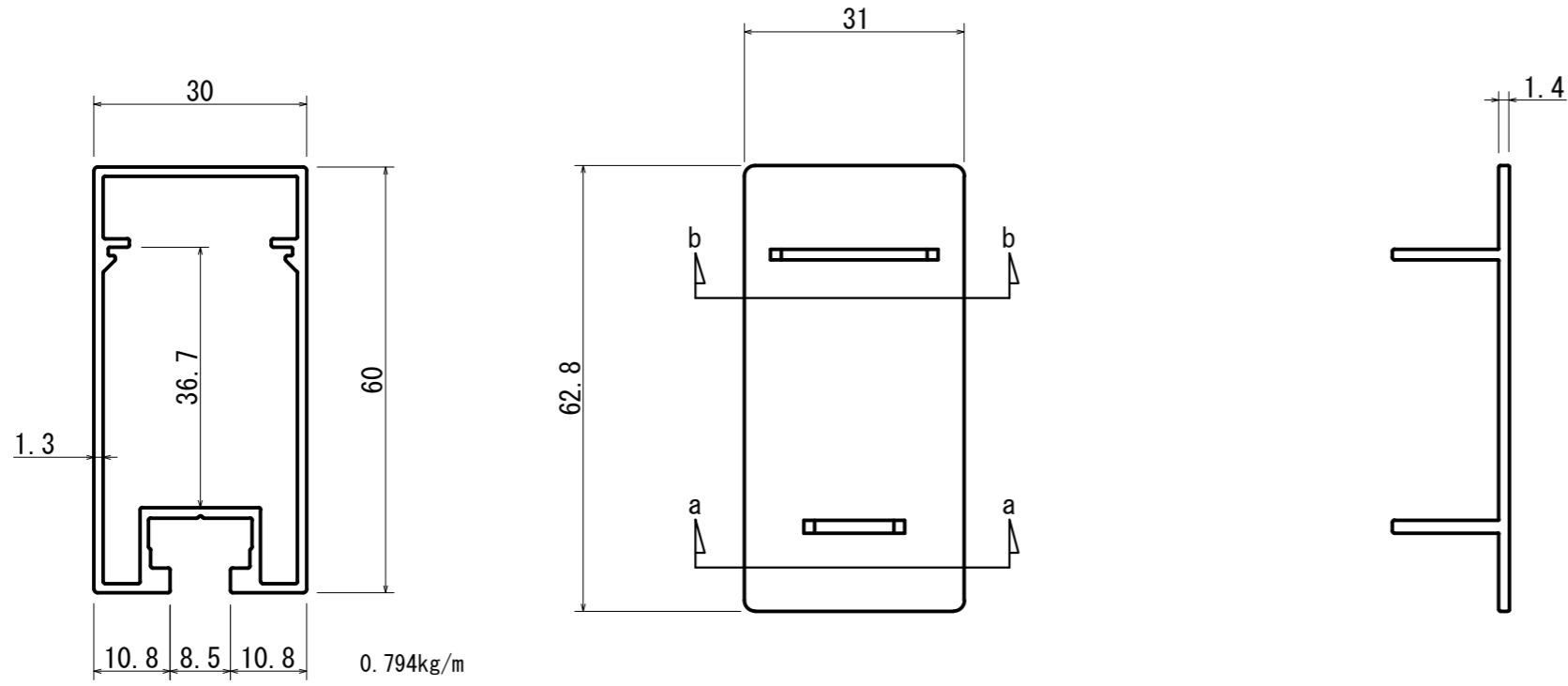


			Product Name				Project Name	Date	Page	Scale	Projection	
			MIZOTSUKI 30X50					06/2021	5 of 15	1:1 (A3)		
			Approval	Check	Drawing	Design			Covet International 27 / 131 Hyde St Yarraville VIC 3013		T +613 9398 8128 info@covet.com.au www.covet.com.au	

Mizotsuki Batten System detail

Profile: Mizotsuki 30X60

Batten: 0.794 kg/m

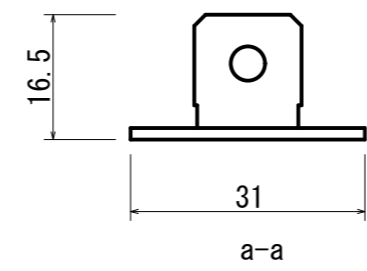
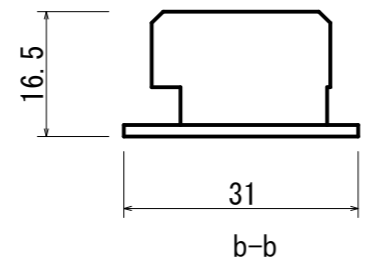
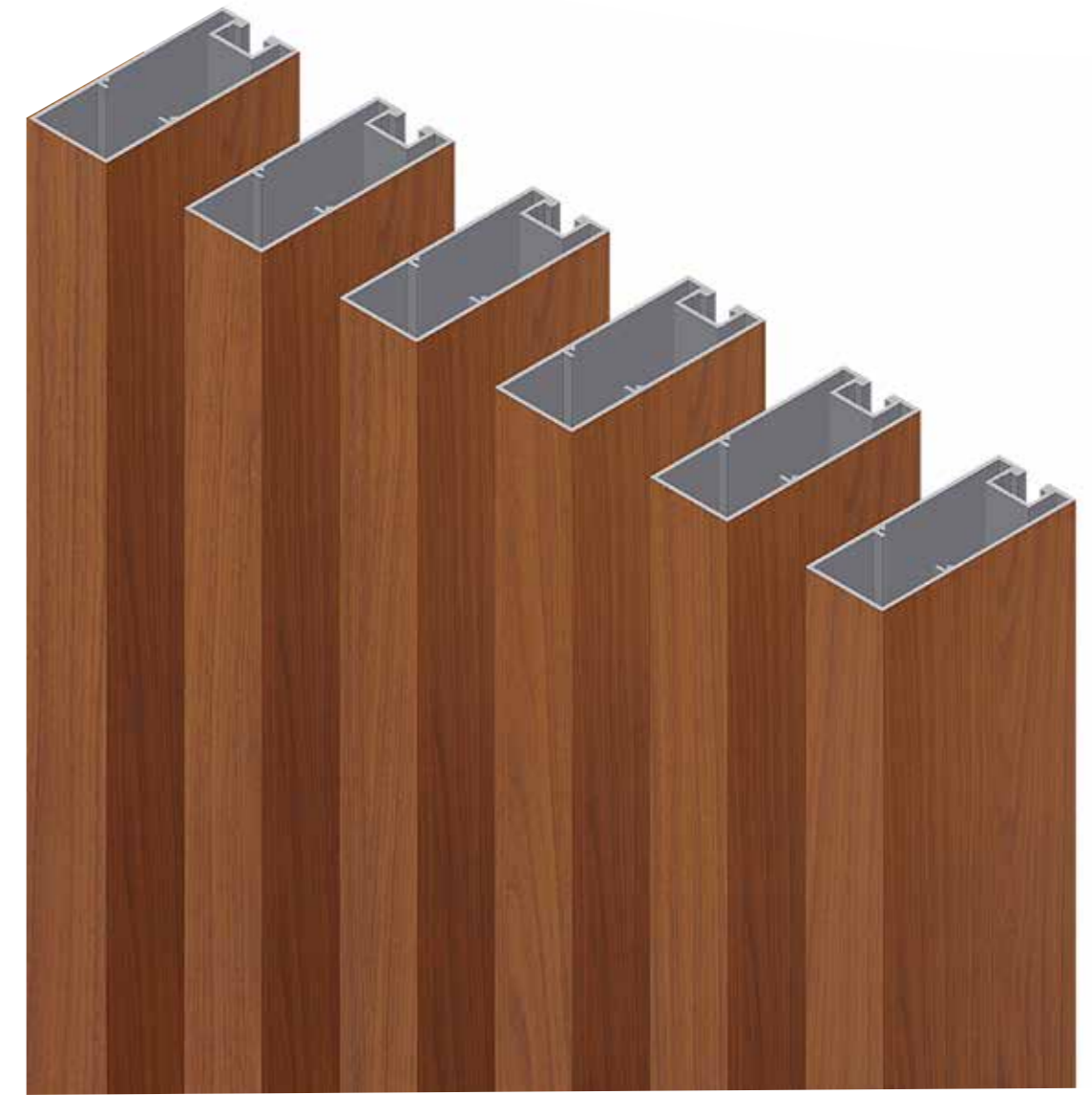
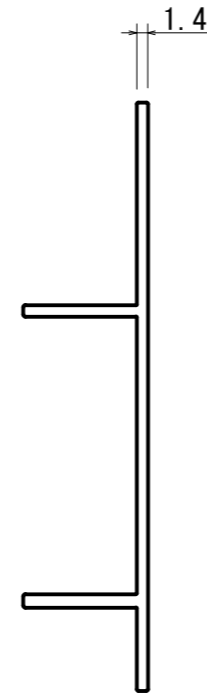
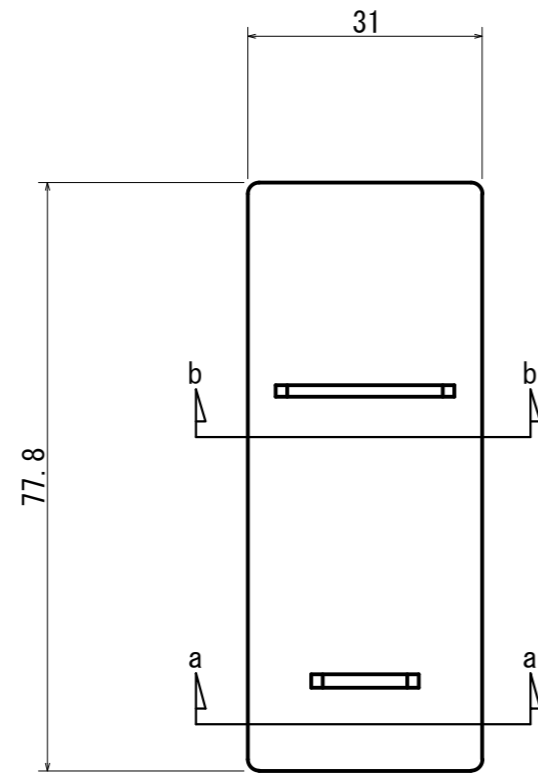
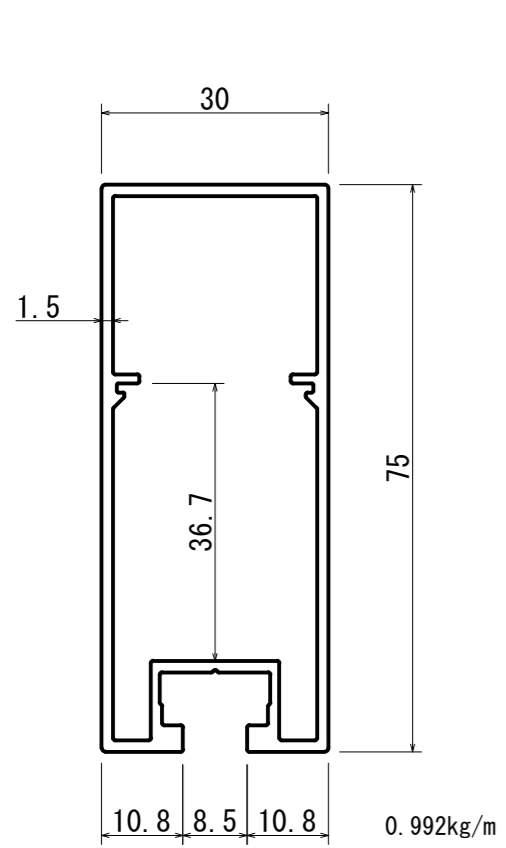



			Product Name				Project Name		Date	Page	Scale	Projection
			MIZOTSUKI 30X60						06/2021	6 of 15	1:1 (A3)	
			Approval	Check	Drawing	Design	<div style="display: flex; justify-content: space-between; align-items: center;"> <div> <p>Covet International 27 / 131 Hyde St Yarraville VIC 3013</p> </div> <div> <p>T +613 9398 8128 info@covet.com.au www.covet.com.au</p> </div> </div>					

Mizotsuki Batten System detail

Profile: Mizotsuki 30X75

Batten: 0.992 kg/m

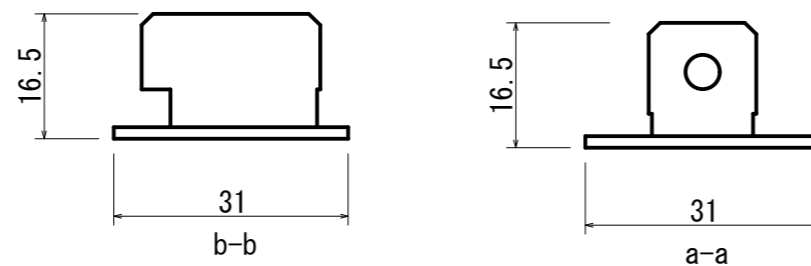
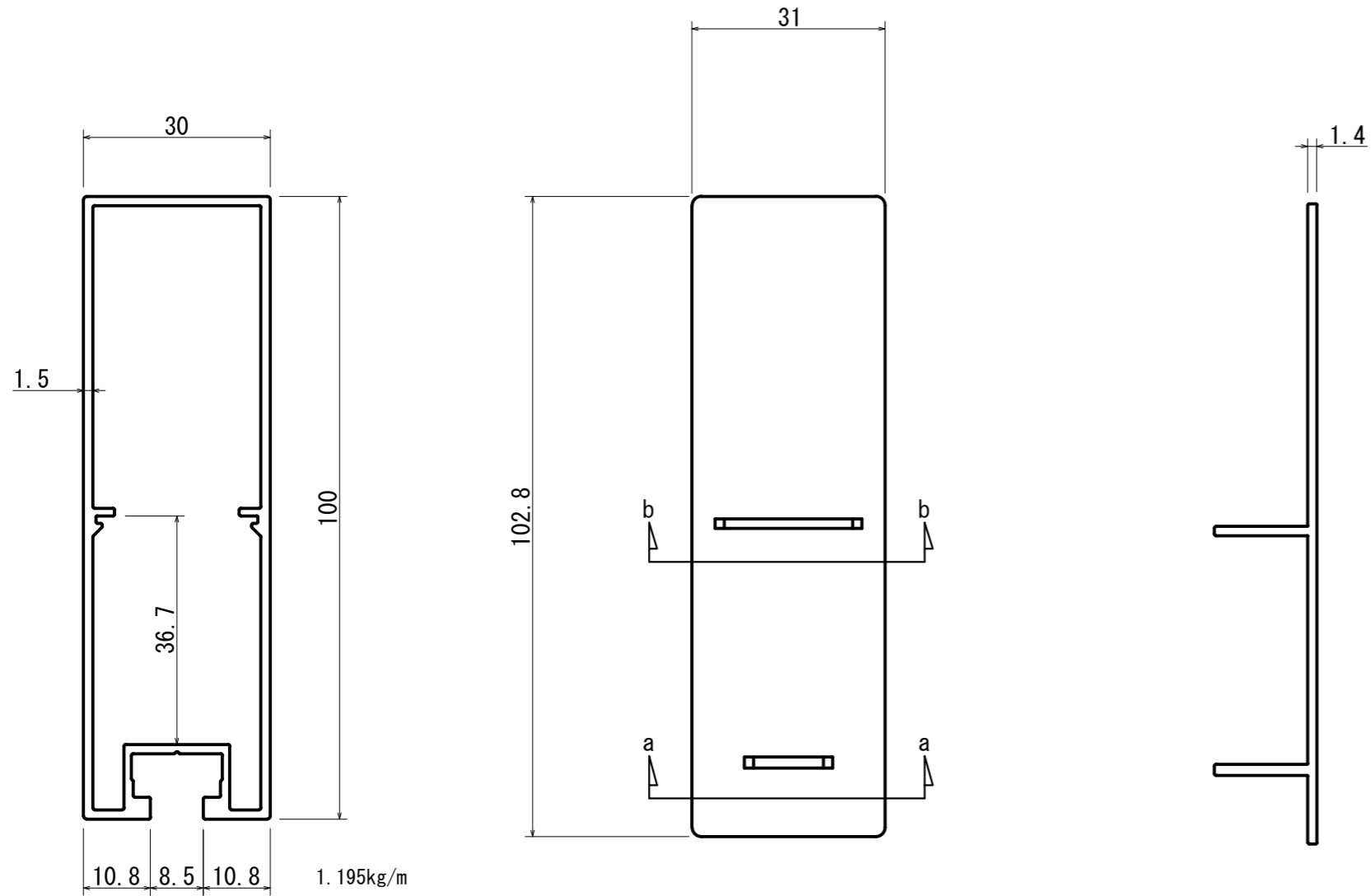


			Product Name				Project Name	Date	Page	Scale	Projection
			MIZOTSUKI 30X75					06/2021	7 of 15	1:1 (A3)	⊕
3			Approval	Check	Drawing	Design	 <div style="display: flex; justify-content: space-between; align-items: center;"> <div style="text-align: center;"> <p>Covet International 27 / 131 Hyde St Yarraville VIC 3013</p> </div> <div style="text-align: center;"> <p>T +613 9398 8128 info@covet.com.au www.covet.com.au</p> </div> </div>				
2											
1											

Mizotsuki Batten System detail

Profile: Mizotsuki 30X100

Batten: 1.195 kg/m

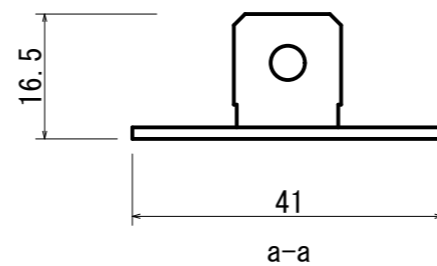
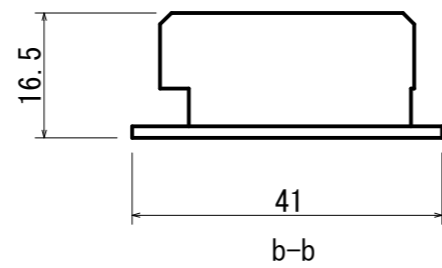
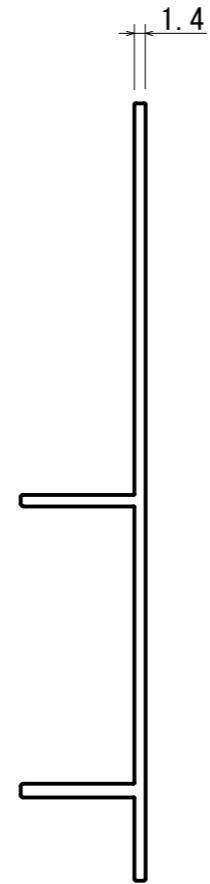
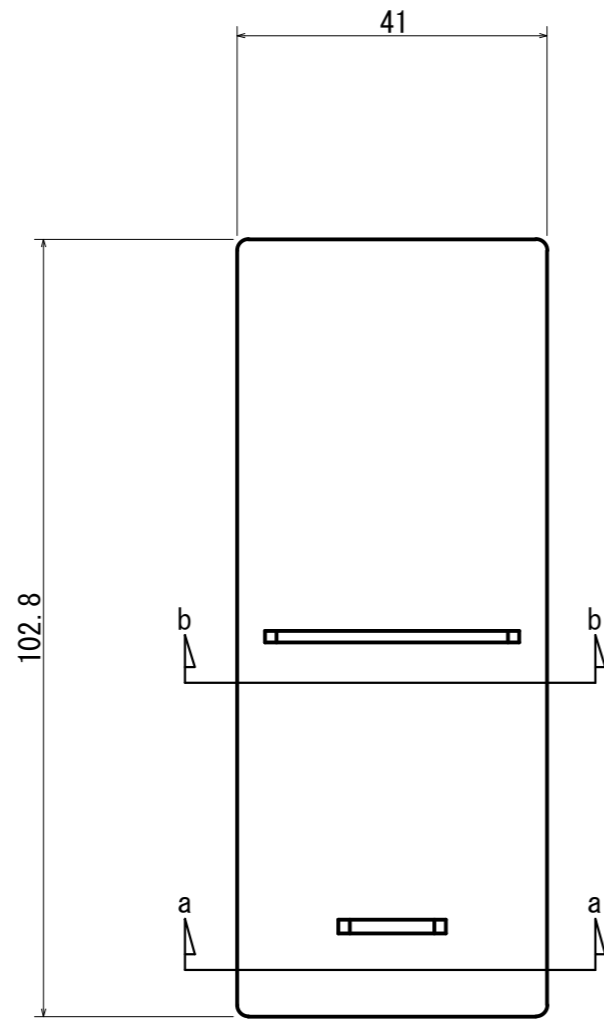
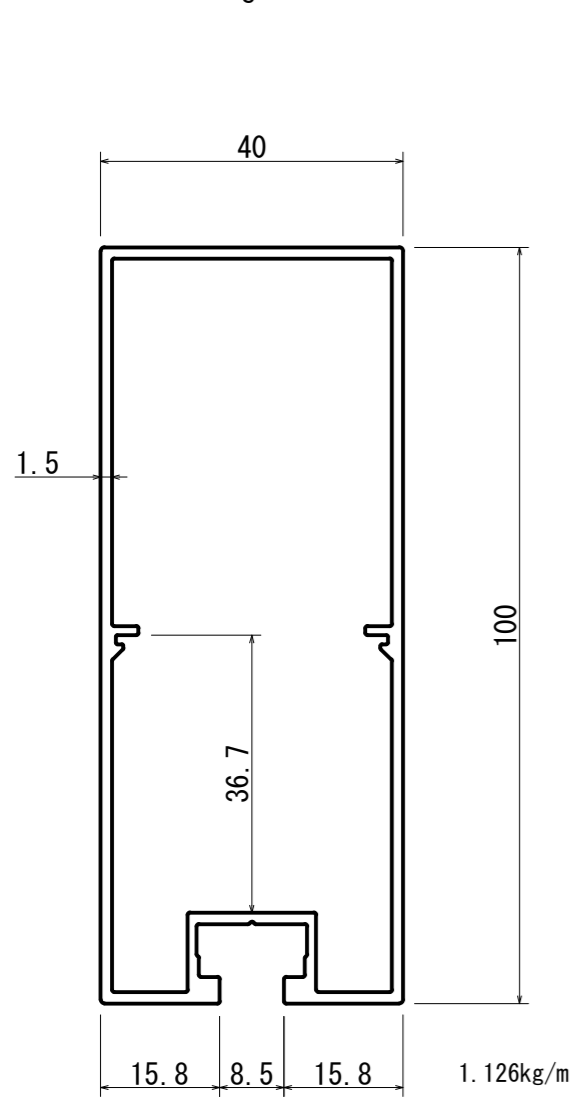


			Product Name				Project Name	Date	Page	Scale	Projection
			MIZOTSUKI 30x100					06/2021	8 of 15	1:1 (A3)	
			Approval	Check	Drawing	Design	<div style="display: flex; justify-content: space-between; align-items: center;"> <div style="text-align: center;"> <p>Covet International 27 / 131 Hyde St Yarraville VIC 3013</p> </div> <div style="text-align: center;"> <p>T +613 9398 8128 info@covet.com.au www.covet.com.au</p> </div> </div>				

Mizotsuki Batten System detail

Profile: Mizotsuki 40X100

Batten: 1.126 kg/m

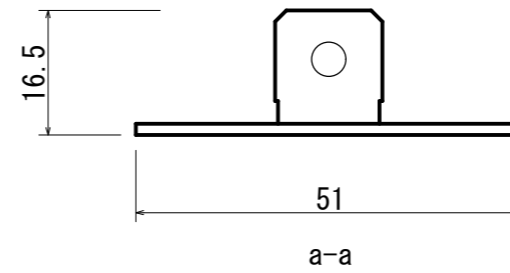
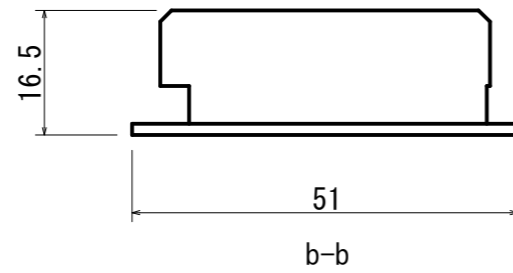
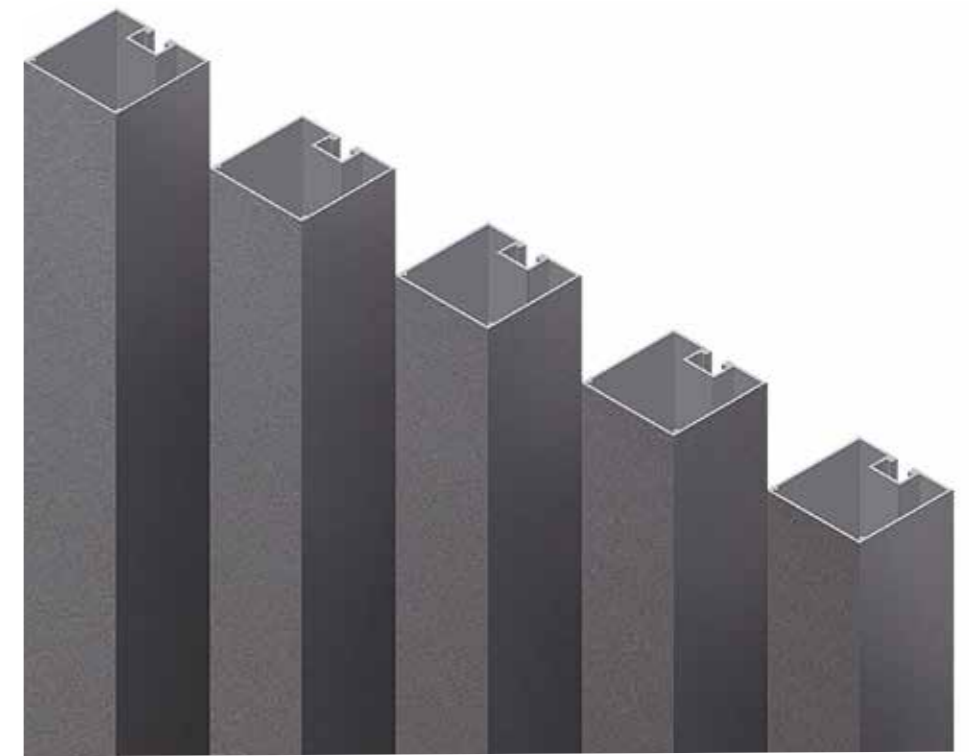
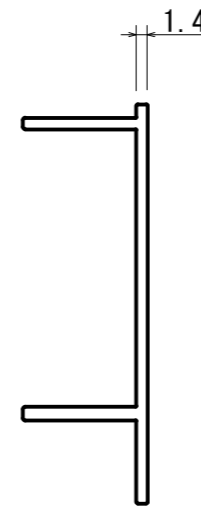
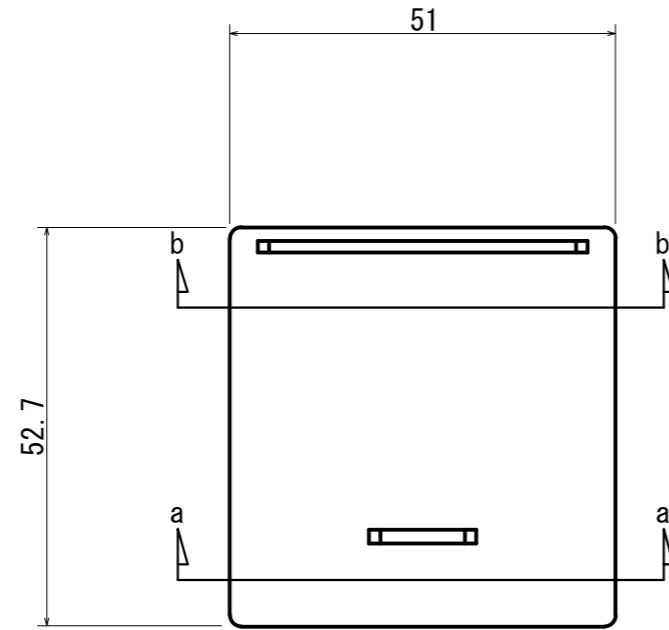
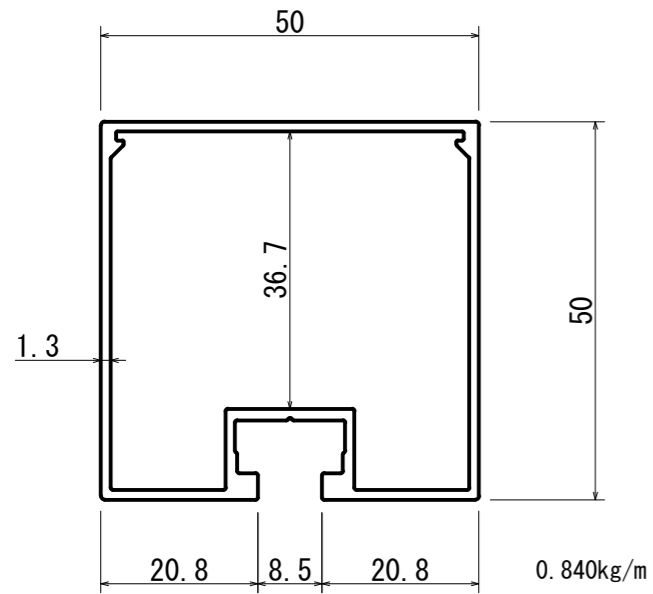


			Product Name				Project Name		Date	Page	Scale	Projection
			MIZOTSUKI 40x100						06/2021	9 of 15	1:1 (A3)	
			Approval	Check	Drawing	Design			Covet International 27 / 131 Hyde St Yarraville VIC 3013		T +613 9398 8128 info@covet.com.au www.covet.com.au	

Mizotsuki Batten System detail

Profile: Mizotsuki 50X50

Batten: 0.840 kg/m

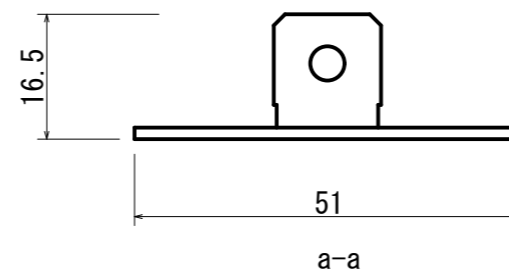
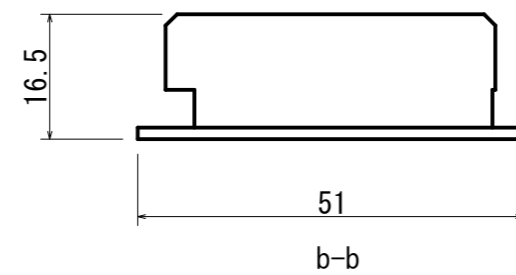
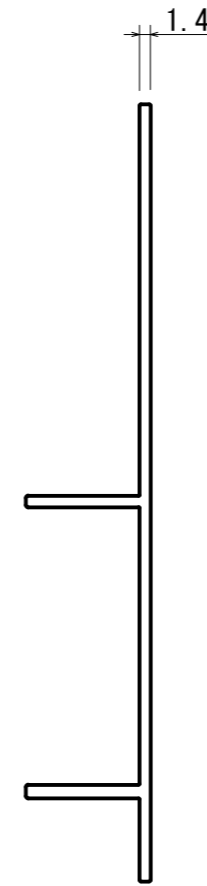
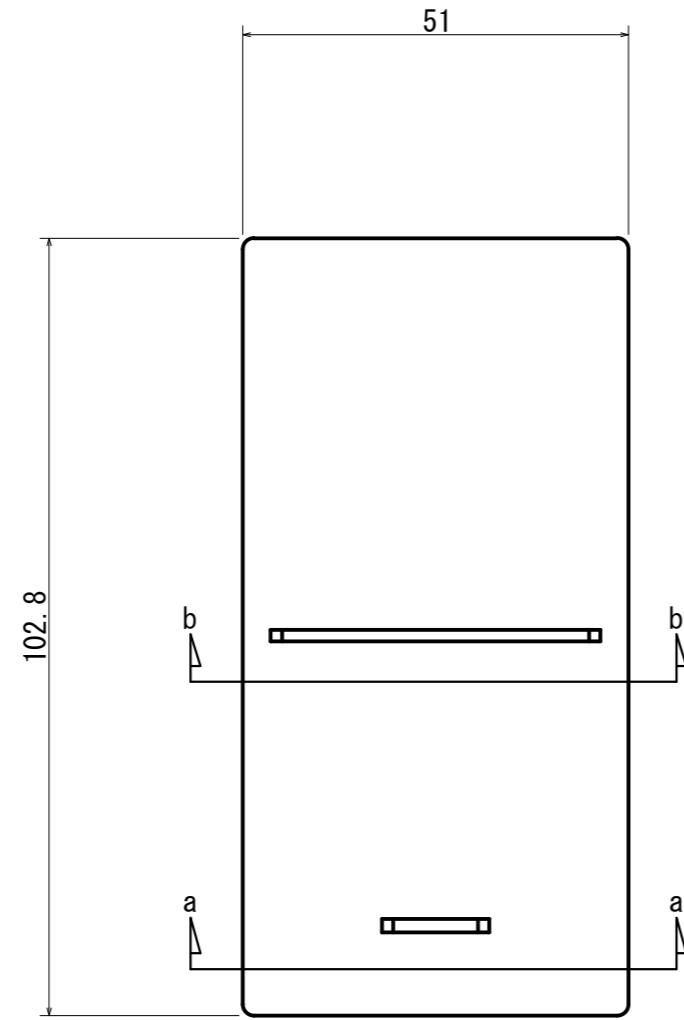
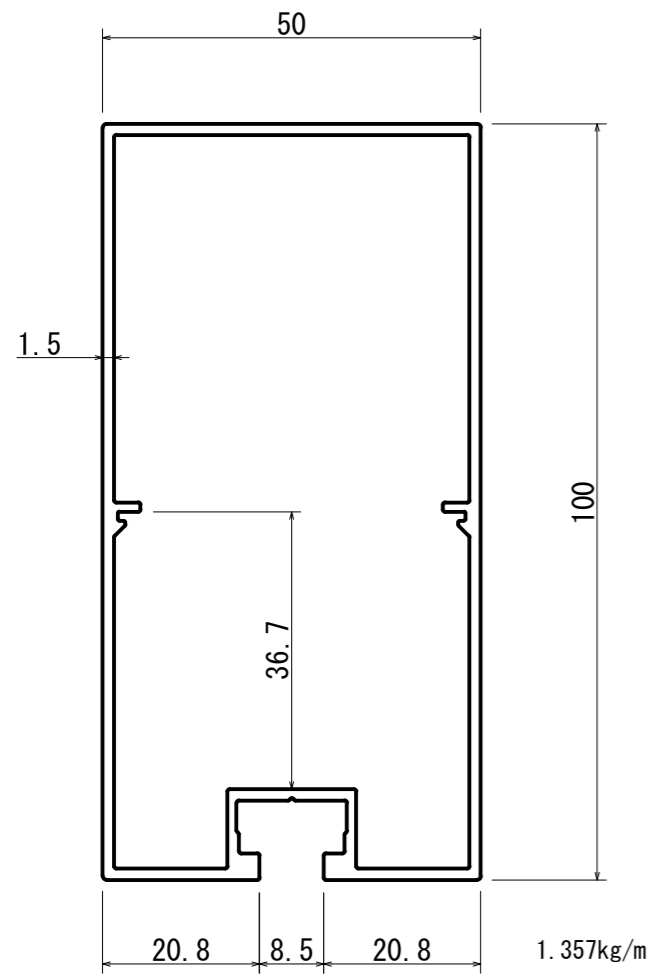



			Product Name				Project Name		Date	Page	Scale	Projection
			MIZOTSUKI 50x50						06/2021	10 of 15	1:1 (A3)	
			Approval	Check	Drawing	Design			Covet International 27 / 131 Hyde St Yarraville VIC 3013		T +613 9398 8128 info@covet.com.au www.covet.com.au	

Mizotsuki Batten System detail

Profile: Mizotsuki 50X100

Batten: 1.357 kg/m

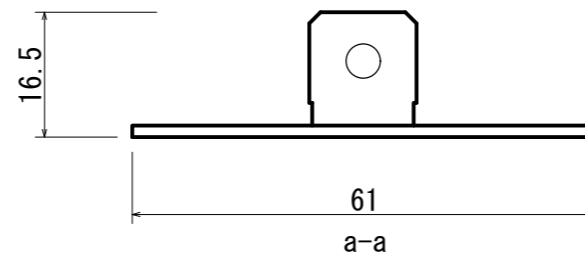
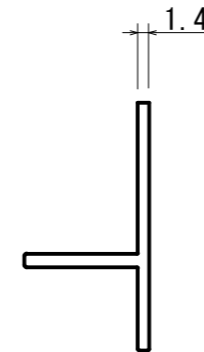
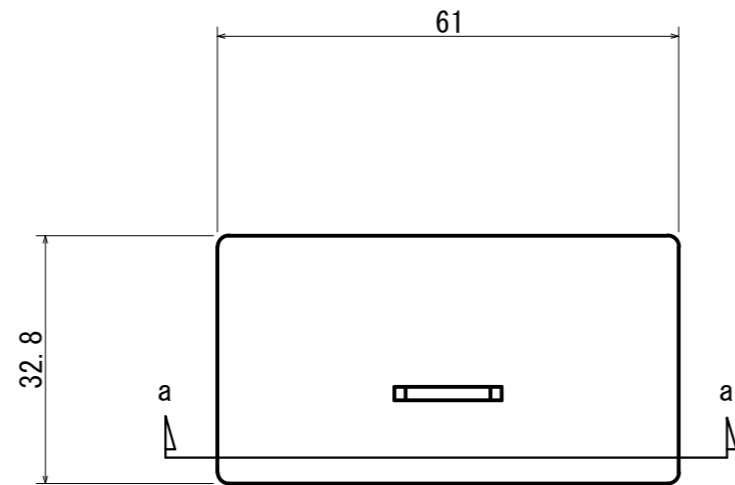
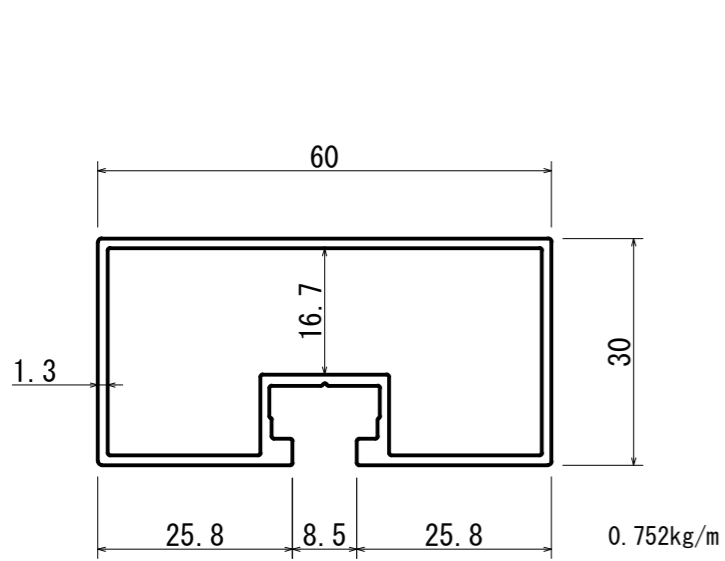


			Product Name				Project Name		Date	Page	Scale	Projection
			MIZOTSUKI 50x100						06/2021	11 of 15	1:1 (A3)	⊕
3			Approval	Check	Drawing	Design			Covet International 27 / 131 Hyde St Yarraville VIC 3013		T +613 9398 8128 info@covet.com.au www.covet.com.au	
2												
1												

Mizotsuki Batten System detail

Profile: Mizotsuki 60X30

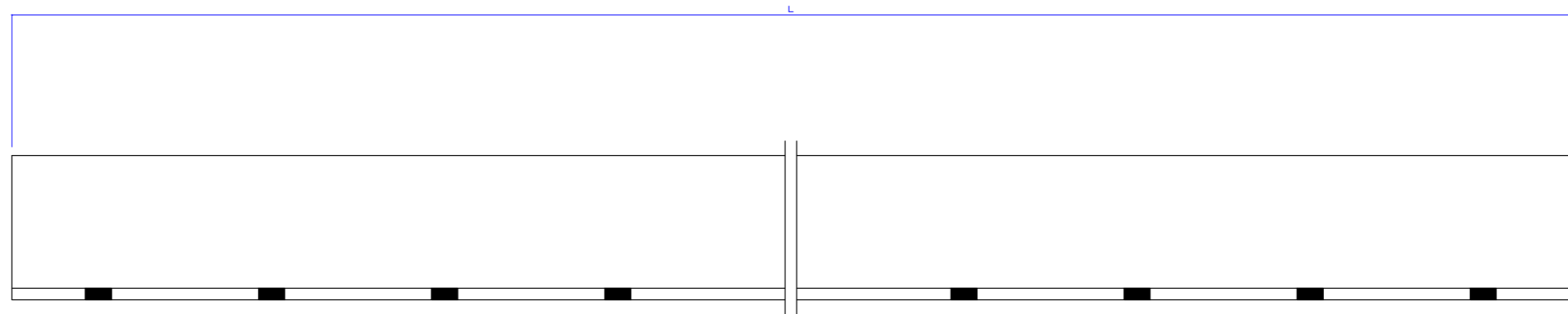
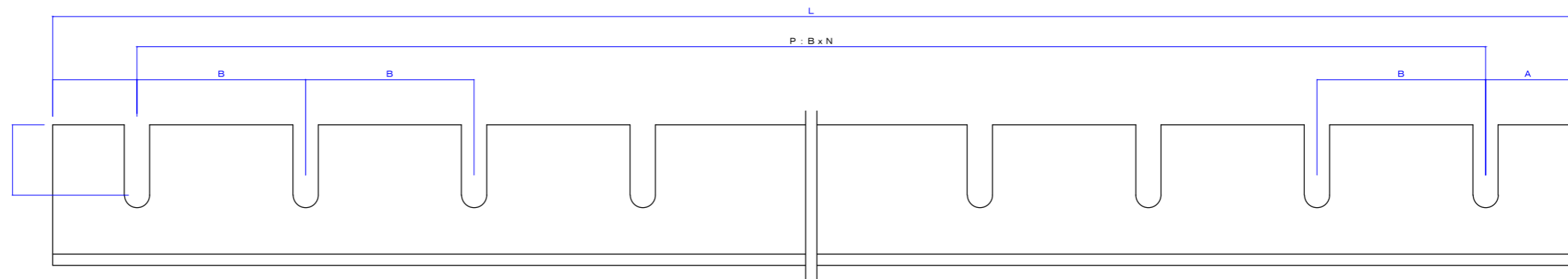
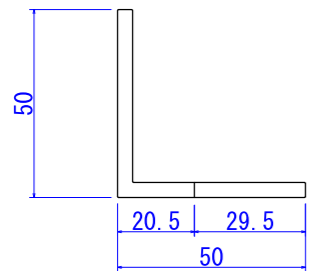
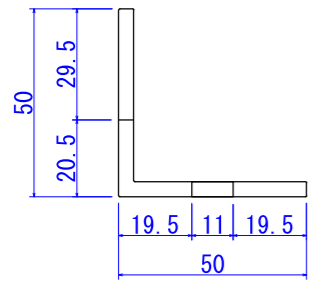
Batten: 0.752 kg/m




			Product Name				Project Name	Date	Page	Scale	Projection
			MIZOTSUKI 60x30					06/2021	12 of 15	1:1 (A3)	
3			Approval	Check	Drawing	Design					
2											
1											
							Covet International		T +613 9398 8128		
							27 / 131 Hyde St		info@covet.com.au		
							Yarraville VIC 30133025		www.covet.com.au		

Mizotsuki Batten System detail

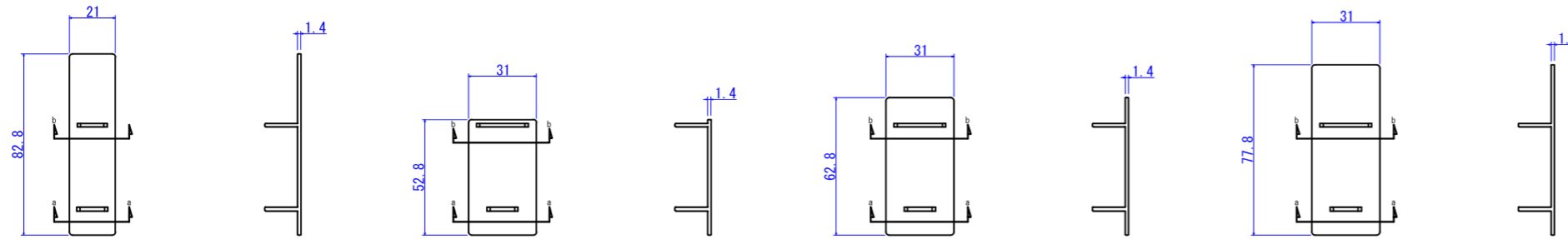
Profile: Mizotsuki 50X50 L Bracket



			Product Name				Project Name		Date	Page	Scale	Projection
			MIZOTSUKI 50x50 L BRACKET						06/2021	13 of 15	1:1 (A3)	⊕
3			Approval	Check	Drawing	Design	 <div style="display: flex; justify-content: space-between; font-size: small;"> <div data-bbox="2190 1948 2436 2039">Covet International 27 / 131 Hyde St Yarraville VIC 3013</div> <div data-bbox="2635 1948 2881 2039">T +613 9398 8128 info@covet.com.au www.covet.com.au</div> </div>					
2												
1												

Mizotsuki Batten System detail

Profile: Mizotsuki End Caps

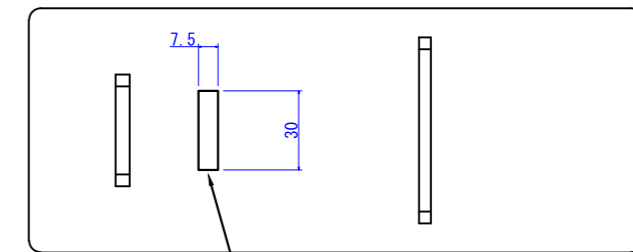


20X80

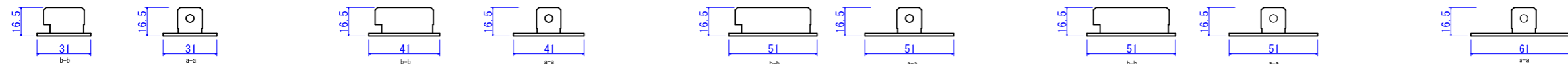
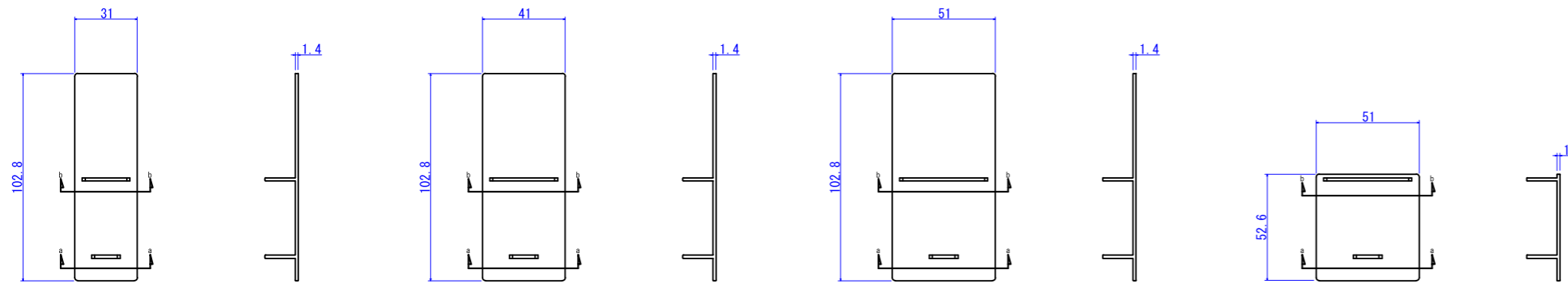
30X50

30X60

30X75



Caps on bottom have drain hole



30X100

40X100

50X100

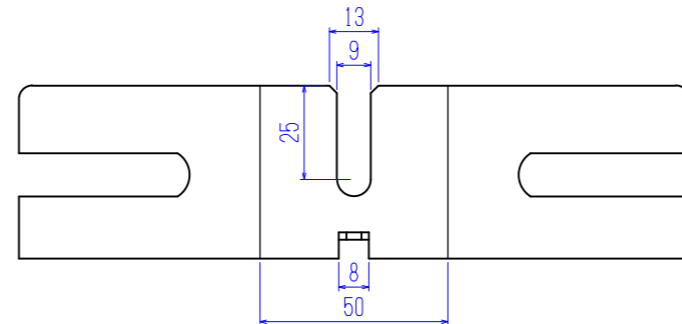
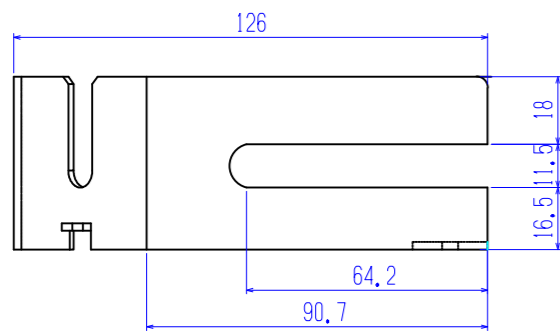
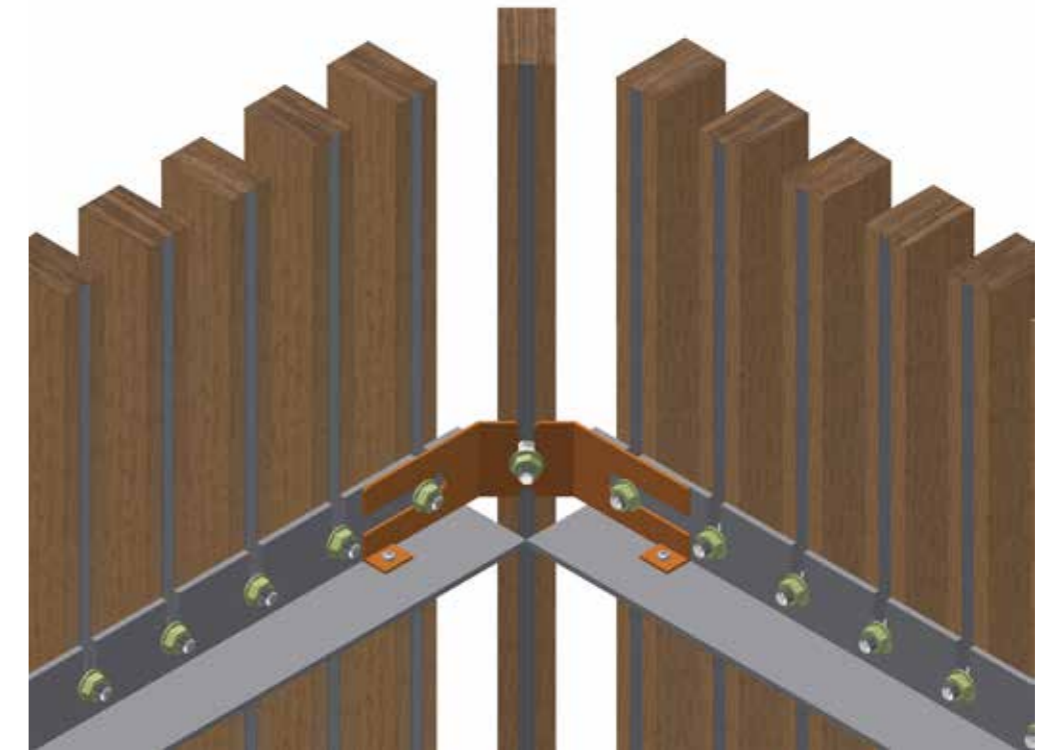
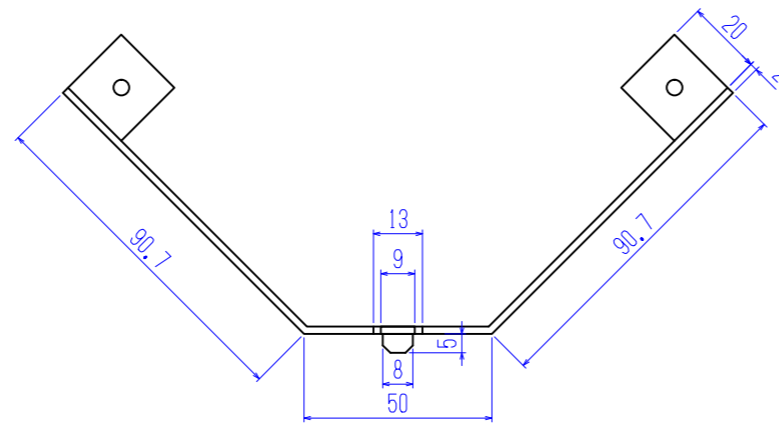
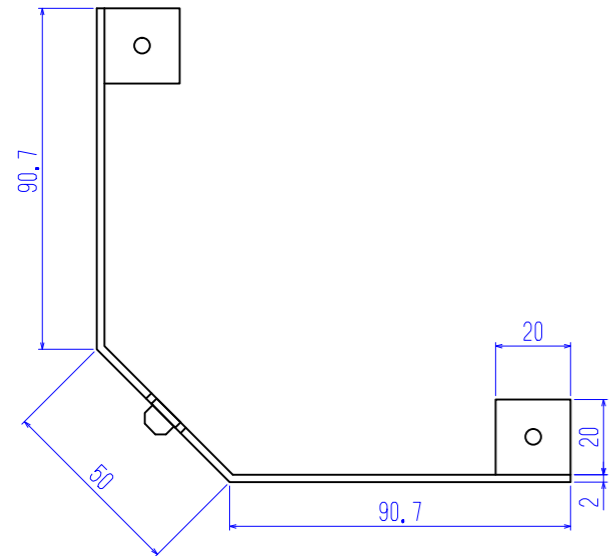
50X50


60X30

			Product Name				Project Name		Date	Page	Scale	Projection
			MIZOTSUKI END CAPS						06/2021	14 of 15		
			Approval	Check	Drawing	Design	<div style="display: flex; justify-content: space-between; align-items: center;"> <div style="text-align: center;"> <p>Covet International 27 / 131 Hyde St Yarraville VIC 3013</p> </div> <div style="text-align: right;"> <p>T +613 9398 8128 info@covet.com.au www.covet.com.au</p> </div> </div>					

Mizotsuki Batten System detail

Profile: Mizotsuki Corner Bracket



		Product Name				Project Name	Date	Page	Scale	Projection
3		MIZOTSUKI CORNER BRACKET					06/2021	15 of 15	1:1 (A3)	⊕
2		Approval	Check	Drawing	Design			Covet International 27 / 131 Hyde St Yarraville VIC 3013		T +613 9398 8128 info@covet.com.au www.covet.com.au
1										