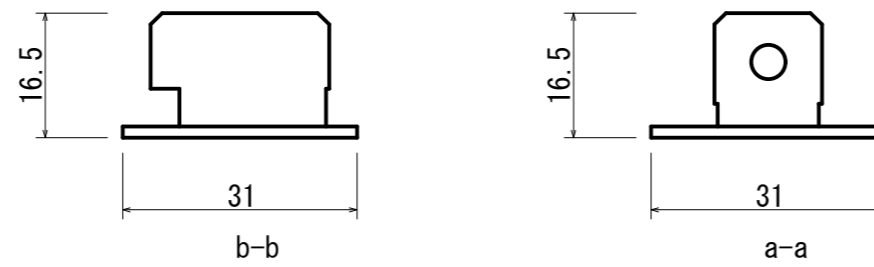
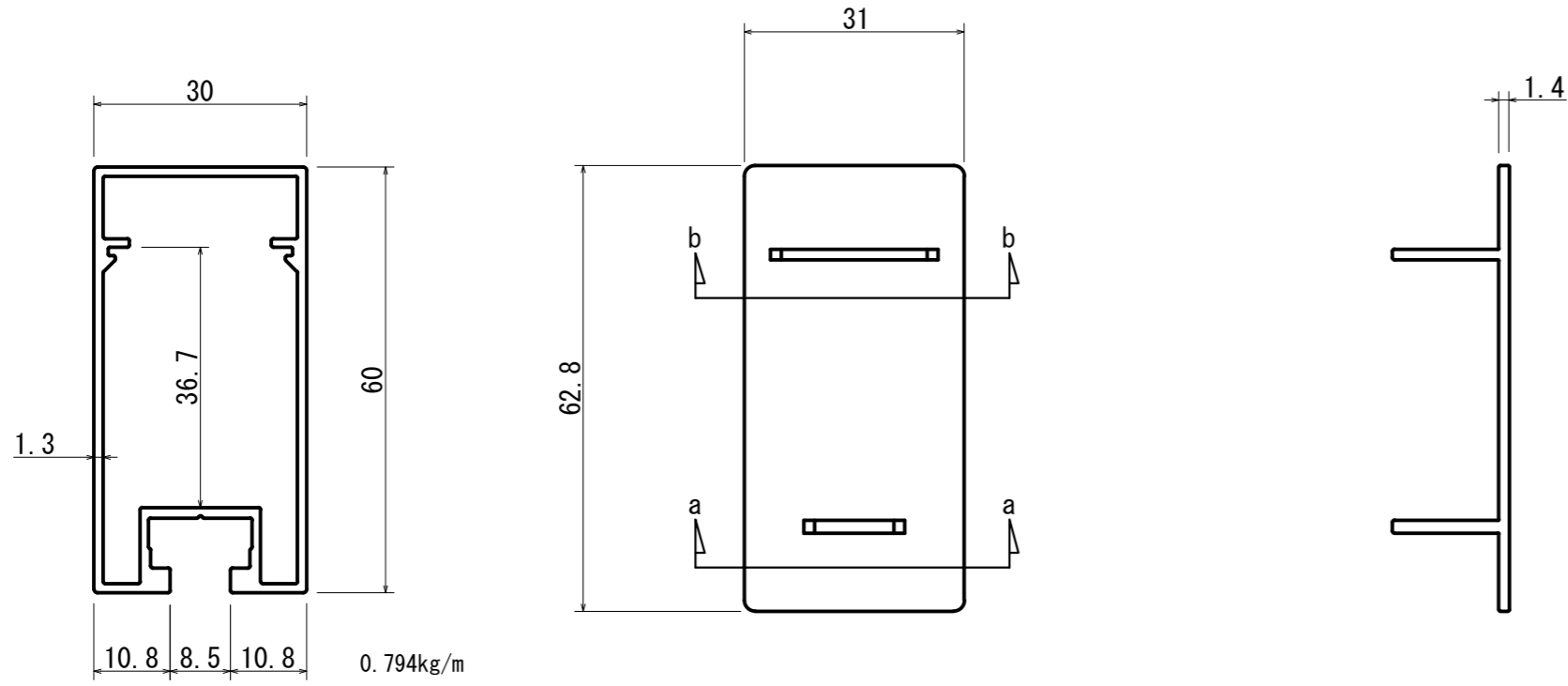


Mizotsuki Batten System detail

Profile: Mizotsuki 30X60

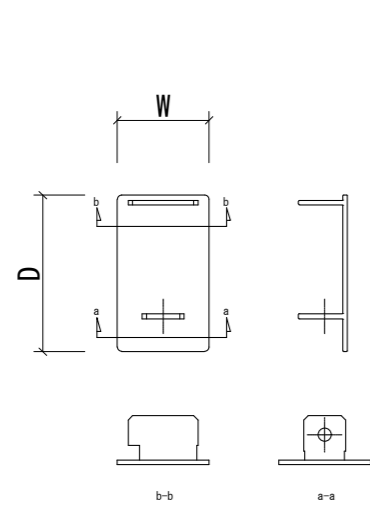
Batten: 0.794 kg/m



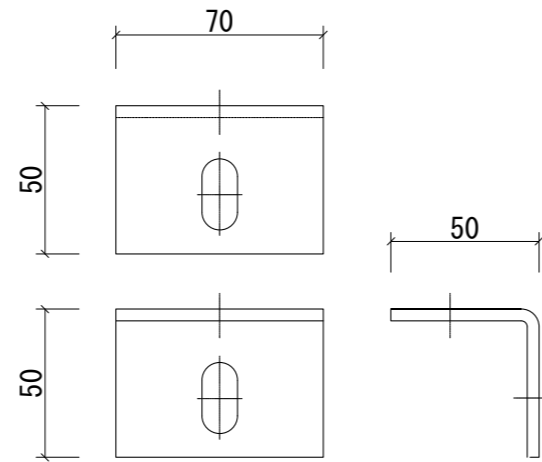
			Product Name				Project Name		Date	Page	Scale	Projection
			MIZOTSUKI 30X60						06/2021	1 of 4	1:1 (A3)	
			Approval	Check	Drawing	Design	<div style="display: flex; justify-content: space-between; align-items: center;"> <div style="text-align: center;"> <p>Covet International 27 / 131 Hyde St Yarraville VIC 3013</p> </div> <div style="text-align: center;"> <p>T +613 9398 8128 info@covet.com.au www.covet.com.au</p> </div> </div>					

Mizotsuki Batten System detail

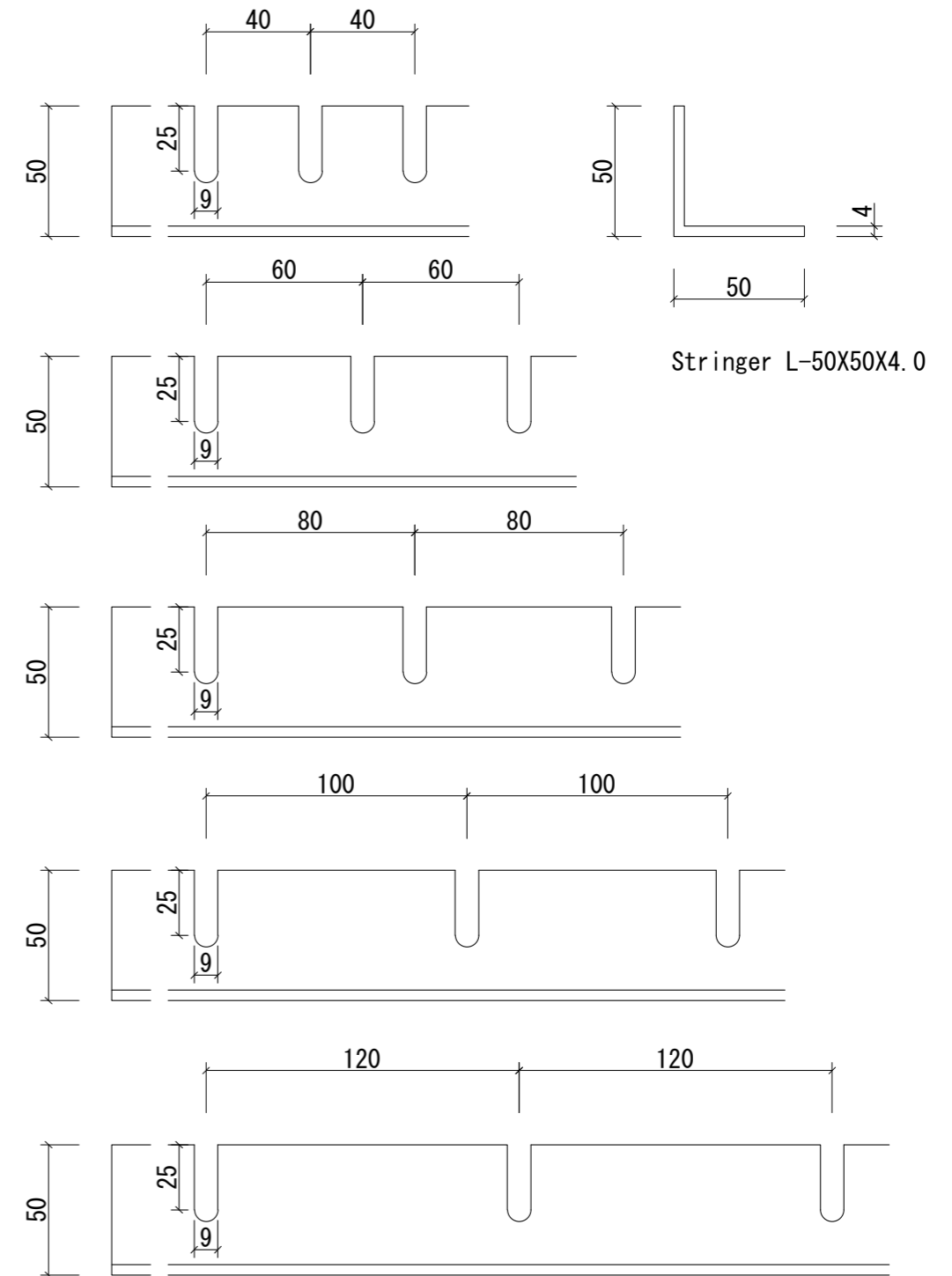
Profile: Mizotsuki L Brackets



End cap



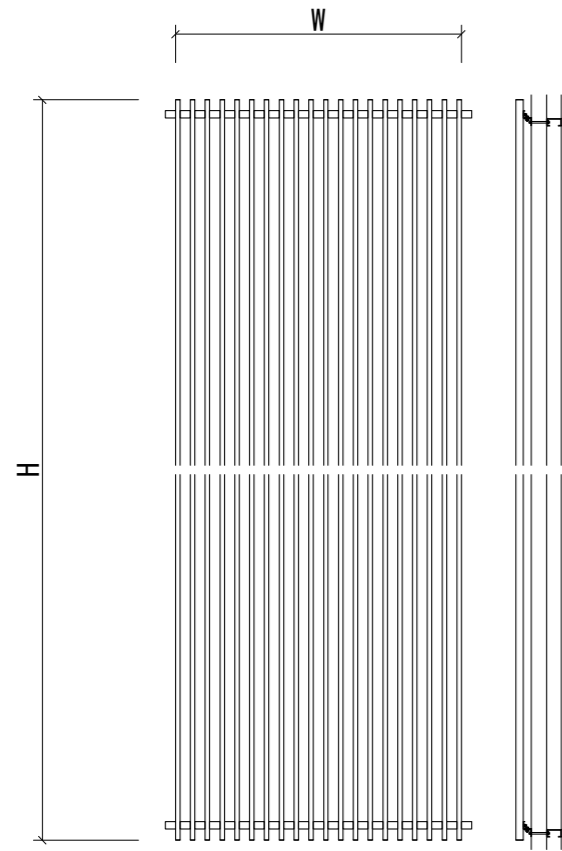
Stringer L-50X50X4.0



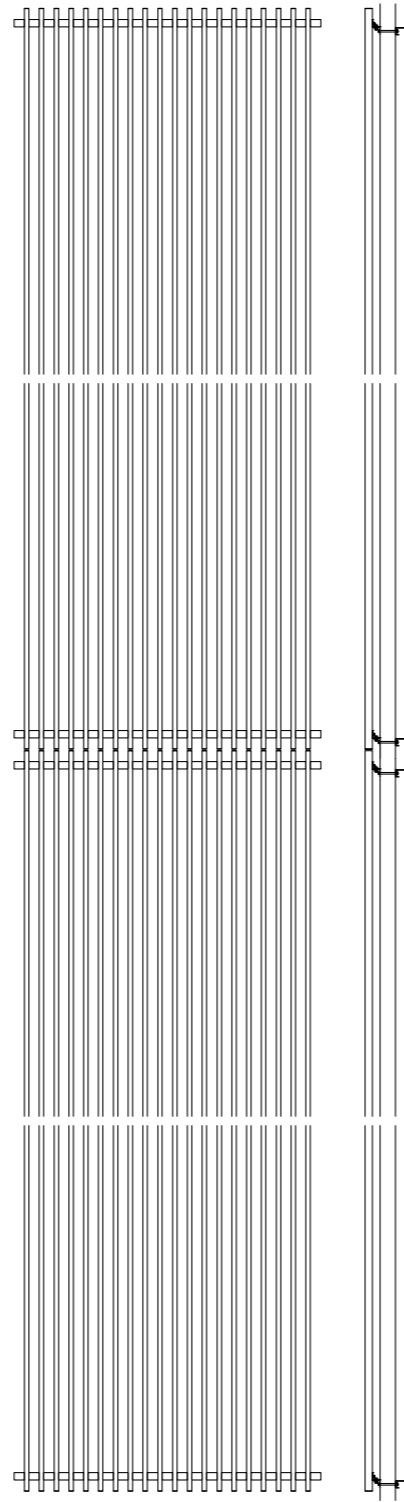
		Product Name				Project Name	Date	Page	Scale	Projection
		MIZOTSUKI L BRACKETS					06/2021	2 of 4	1:50 (A3)	
		Approval	Check	Drawing	Design			Covet International 27 / 131 Hyde St Yarraville VIC 3013		T +613 9398 8128 info@covet.com.au www.covet.com.au

Mizotsuki Batten System detail

Profile: Mizotsuki Fixings

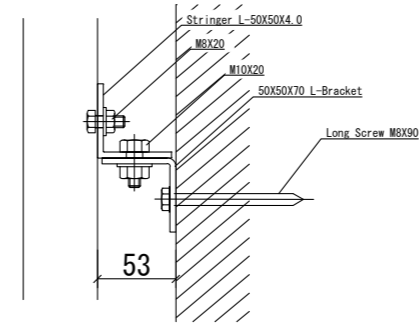


SINGLE PANEL

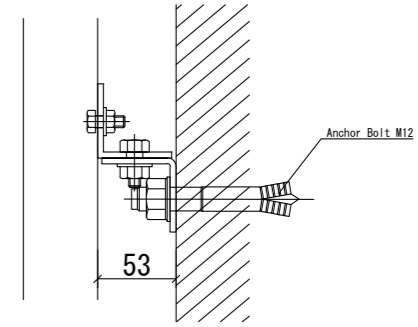


MULTIPLE PANEL

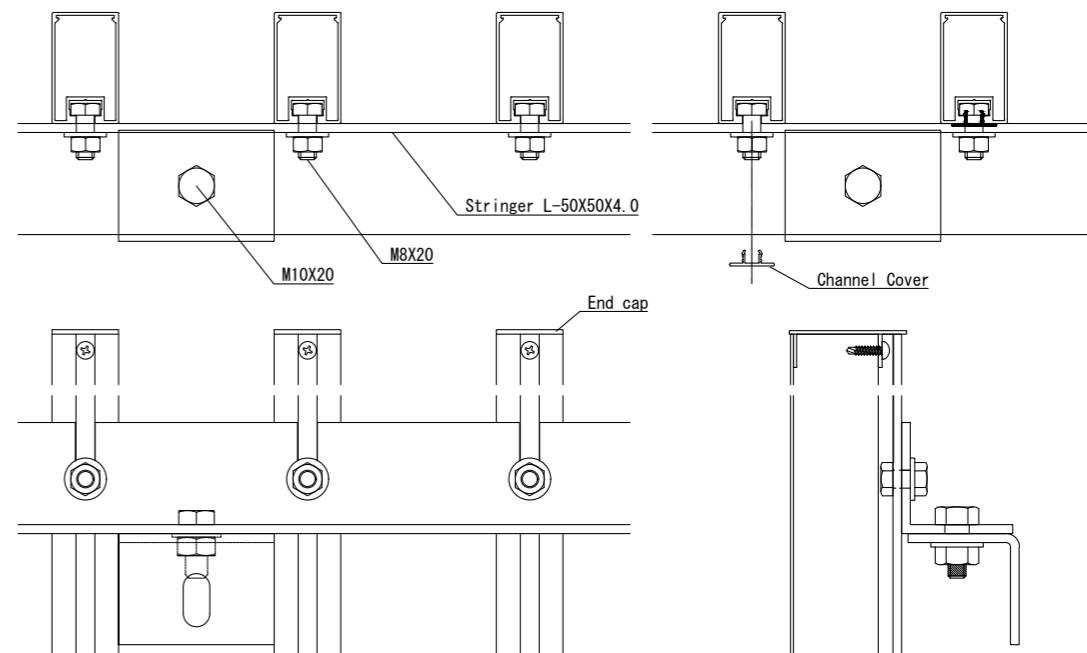
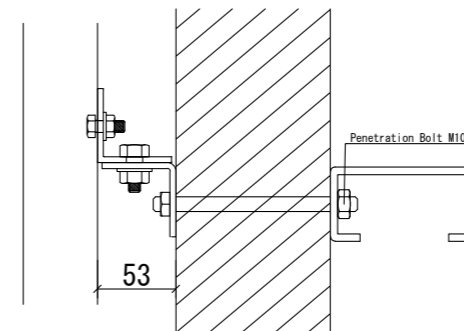
WOOD STRUCTURE



CONCRETE STRUCTURE



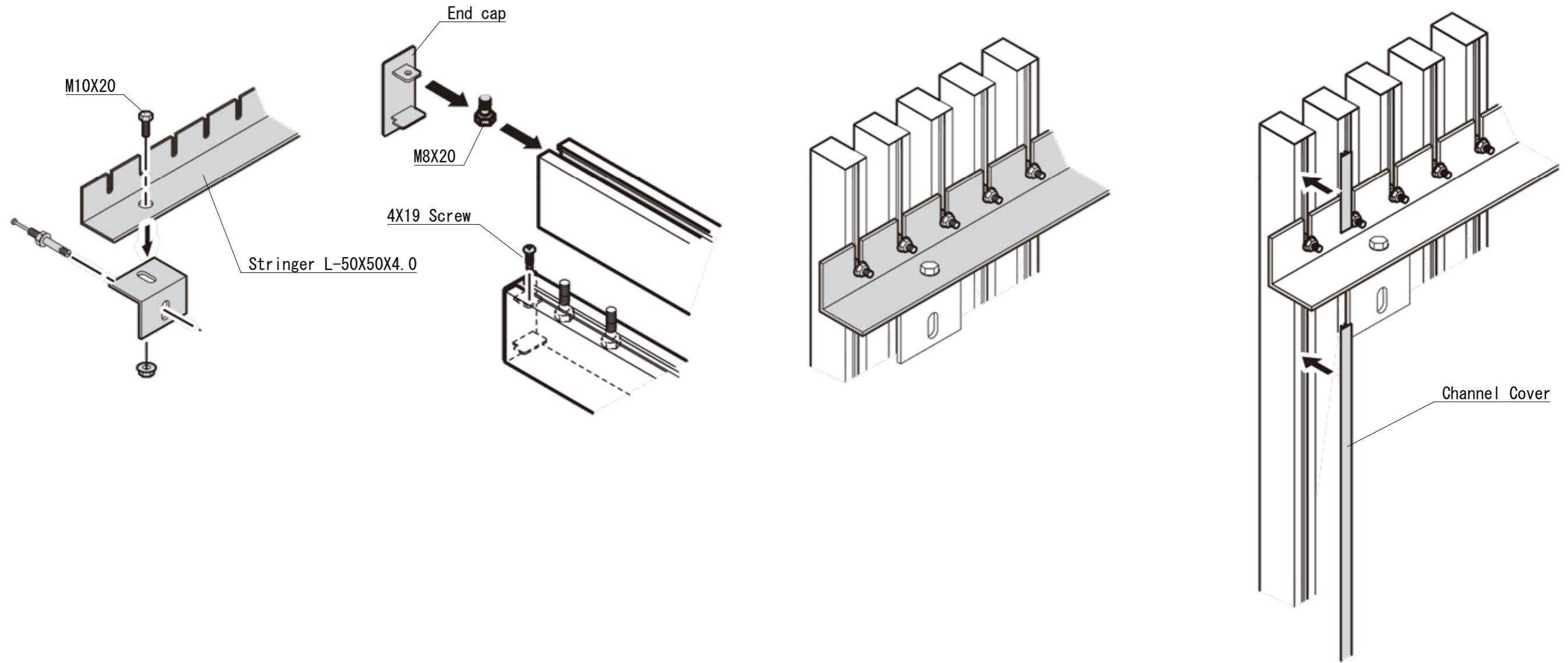
ALC AUTOCLAVED LIGHT WEIGHT CONCRETE




		Product Name				Project Name	Date	Page	Scale	Projection
		MIZOTSUKI FIXINGS					06/2021	3 of 4		
3		Approval	Check	Drawing	Design			Covet International 27 / 131 Hyde St Yarraville VIC 3013		T +613 9398 8128 info@covet.com.au www.covet.com.au
2										
1										

Mizotsuki Batten System detail

Installation



			Product Name				Project Name	Date	Page	Scale	Projection		
			MIZOTSUKI INSTALLATION					06/2021	4 of 4		⊕		
3			Approval	Check	Drawing	Design				Covet International 27 / 131 Hyde St Yarraville VIC 3013		T +613 9398 8128 info@covet.com.au www.covet.com.au	
2													
1													