

## Koshi batten detail

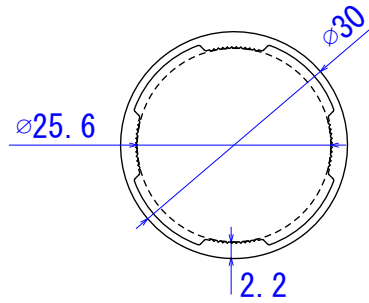
### Profile: Round 30

Weight: 0.347 kg/m

Batten thickness: 2.2mm

End cap thickness: 2.8mm






End cap: Coloured ABS plastic



		Product Name				Project Name		Date	Page	Scale	Projection
		KOSHI ROUND 30MM						07/2021	1 of 2	1:1	
	<b>Install</b>	Never strike extrusion directly with a hammer or rubber mallet. Use a pine plank between the tool and the extrusion to avoid surface damage or denting.		Approval	Check	Drawing	Design	<div style="display: flex; justify-content: space-between; align-items: center;"> <div style="text-align: center;"> </div> <div>                     Covet International                      27 / 131 Hyde St                      Yarraville VIC 3013                 </div> <div>                     T +613 9398 8128                      info@covet.com.au                      www.covet.com.au                 </div> </div>			
	<b>End Caps</b>	Screw fix or apply exterior grade adhesive (Sikaflex) to secure cap to batten.									

## Koshi Batten Installation Guide

- Aluminium can be damaged if mishandled. Never strike directly with a hammer or rubber mallet. Use a pine plank between the striking rubber mallet and the extrusion to avoid surface damage or denting.
- Cut aluminium with a drop saw using an aluminium blade.
- Always cap ends of extrusions with supplied end caps or a flashing to avoid moisture ingress.
- Metal end caps (painted) must be screwed to the extrusion.
- All end caps can only be applied to straight 90 degree cuts. They cannot be applied to angle end cuts.
- Ensure appropriate screws are used to suit the substrate you are fastening to. It is important to use stainless steel or bi-metal screws for all metal surfaces impacted when fastening (i.e. furring channels, top hats, steel frames). This will prevent galvanic reaction between the screw/substrate and aluminium extrusion.
- Fasten at maximum 1 metre spans. Please contact Covet for further information.

		Product Name				Project Name	Date	Page	Scale	Projection
		KOSHI ROUND					07/2021	2 of 2		
										
	Install	Never strike extrusion directly with a hammer or rubber mallet. Use a pine plank between the tool and the extrusion to avoid surface damage or denting.	Approval	Check	Drawing	Design			Covet International 27 / 131 Hyde St Yarraville VIC 3013	
	End Caps	Screw fix or apply exterior grade adhesive (Sikaflex) to secure cap to batten.								